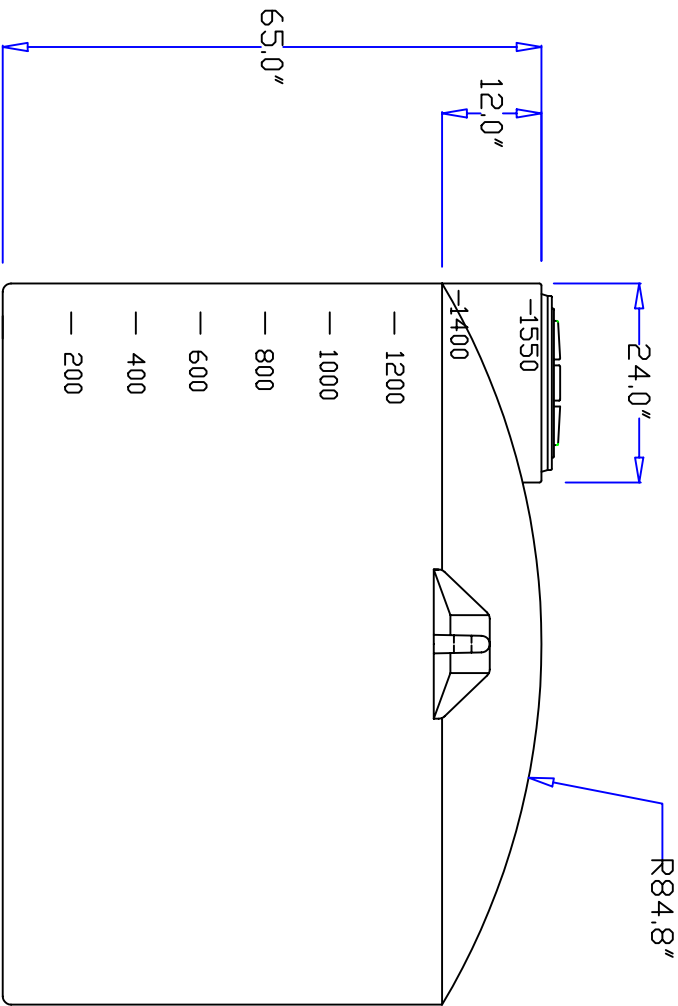
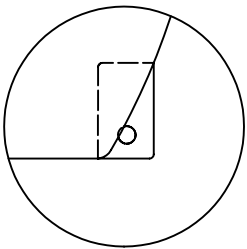


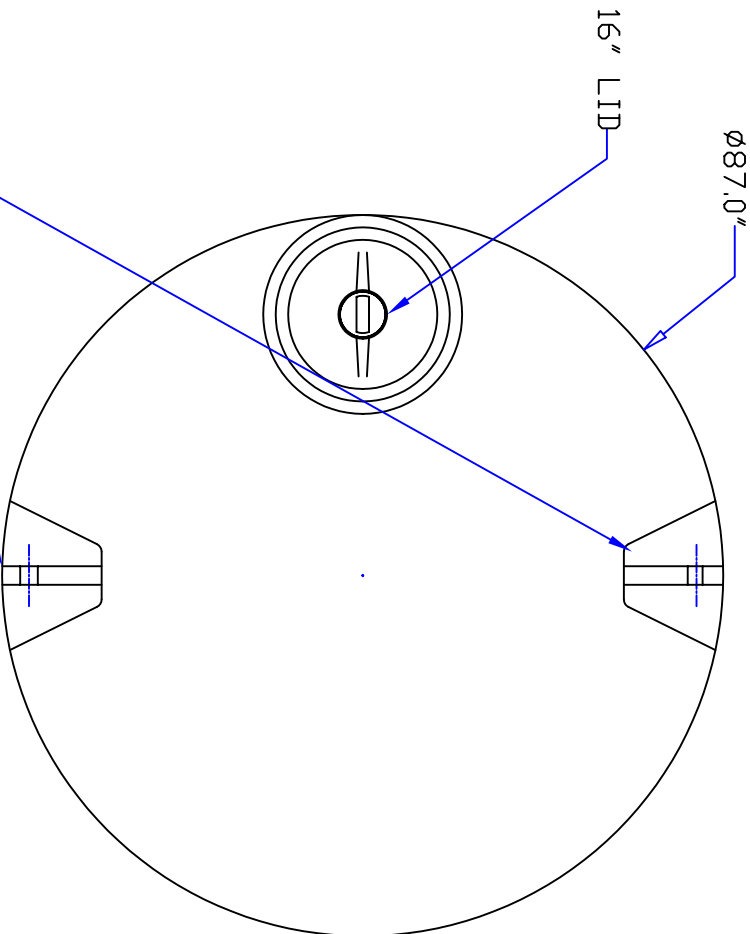
SIDE VIEW



SIDE VIEW OF LIFTING LUG



PLAN VIEW



2 X LIFTING LUGS

REV	DESCRIPTION	DATE	APPRD

DRAWN / DATE  
MSYKES/1/7/01

APPRD. / DATE

MATERIAL / SHOT WEIGHT  
HDPE 245 LBS.

NOTES:

HRP-111

CLIENT / DESCRIPTION

1550 GALLON VERTICAL TANK

**BALLIFF ENTERPRISES, INC.**  
8423 AIRLINE DRIVE, HOUSTON, TEXAS 77037  
PHONE (281) 447-5372 FAX (281) 999-1223

SCALE

N.S.

PART NO.

VTB1550-87

ALL DIMENSIONS ARE IN DECIMAL INCHES  
TOLERANCES UNLESS OTHERWISE SPECIFIED

+ .5% @ 68° F

THIRD ANGLE PROJECTION  
ANSI 14.3M

