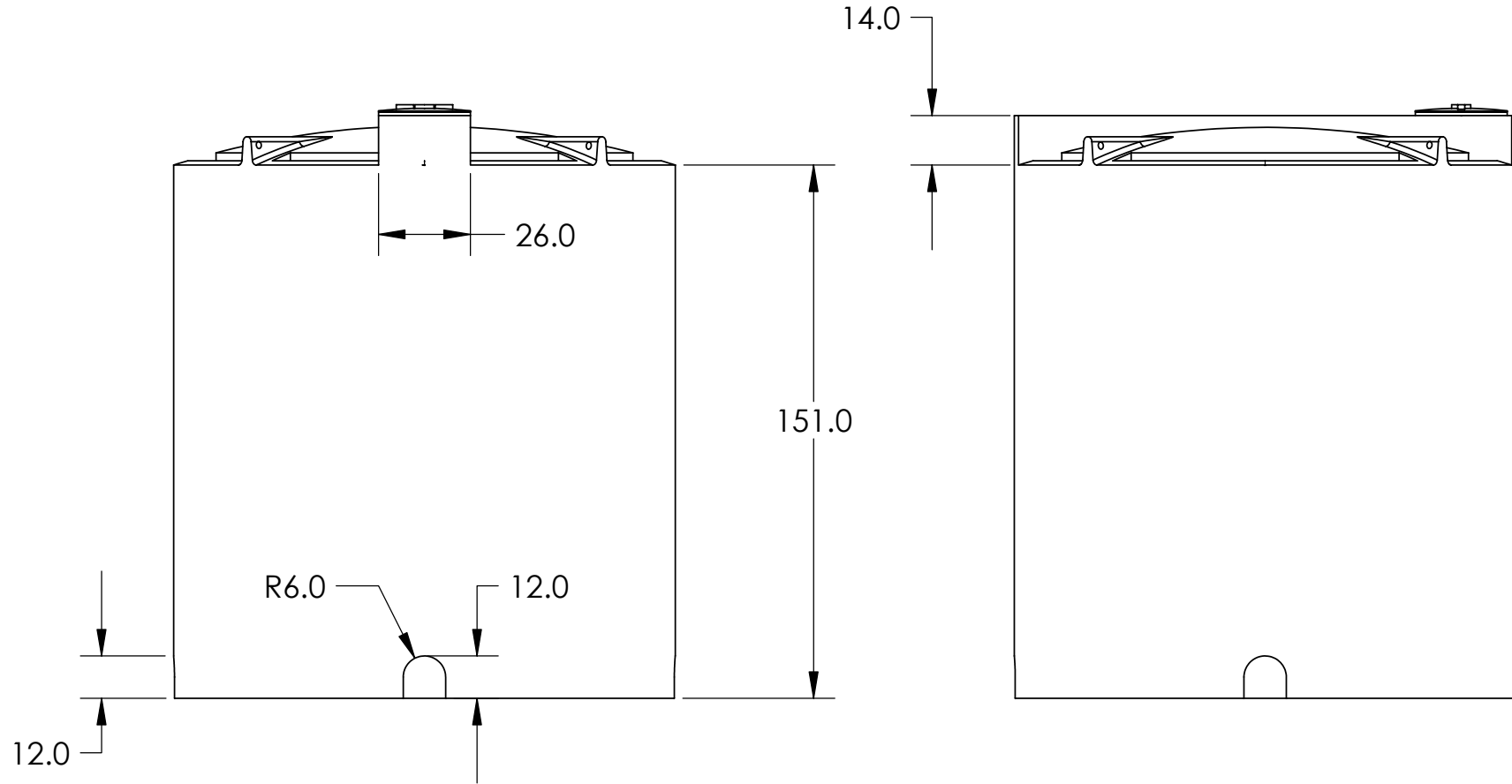




PRELIMINARY DRAWING USE ONLY AS REFERENCE DRAWING HAS NOT BEEN ISSUED FOR MOLD.



## ELEVATIONS

**PROPRIETARY AND CONFIDENTIAL**  
 THE INFORMATION CONTAINED IN THIS DRAWING IS THE SOLE PROPERTY OF BAILIFF ENTERPRISES, INC. ANY REPRODUCTION IN PART OR AS A WHOLE WITHOUT THE WRITTEN PERMISSION OF BAILIFF ENTERPRISES, INC. IS PROHIBITED.

		UNLESS OTHERWISE SPECIFIED:		NAME	DATE	<b>BAILIFF ENTERPRISES, INC</b> 8423 AIRLINE DRIVE HOUSTON, TEXAS 77037		
		DIMENSIONS ARE IN INCHES TOLERANCES: 1% @ 68 DEGREE F		DRAWN	MPS			8/10/04
				CHECKED	MPS			
				ENG APPR.	MPS			
		INTERPRET GEOMETRIC TOLERANCING PER:		MFG APPR.	DB		<b>TITLE:</b> 10,500 GALLON VERTICAL STORAGE TANK	
		MATERIAL: NATURAL HDPE 8660.29		Q.A.	JF			
NEXT ASSY		FINISH SMOOTH		COMMENTS: 1.5 S.G RATED WEIGHT: 3000 LBS 1.9 S.G RATED WEIGHT: 3400 LBS.		SIZE <b>A</b>	DWG. NO. VTB10,500-142	REV
APPLICATION		DO NOT SCALE DRAWING		NTS	WEIGHT:	SHEET 2 OF 3		

5

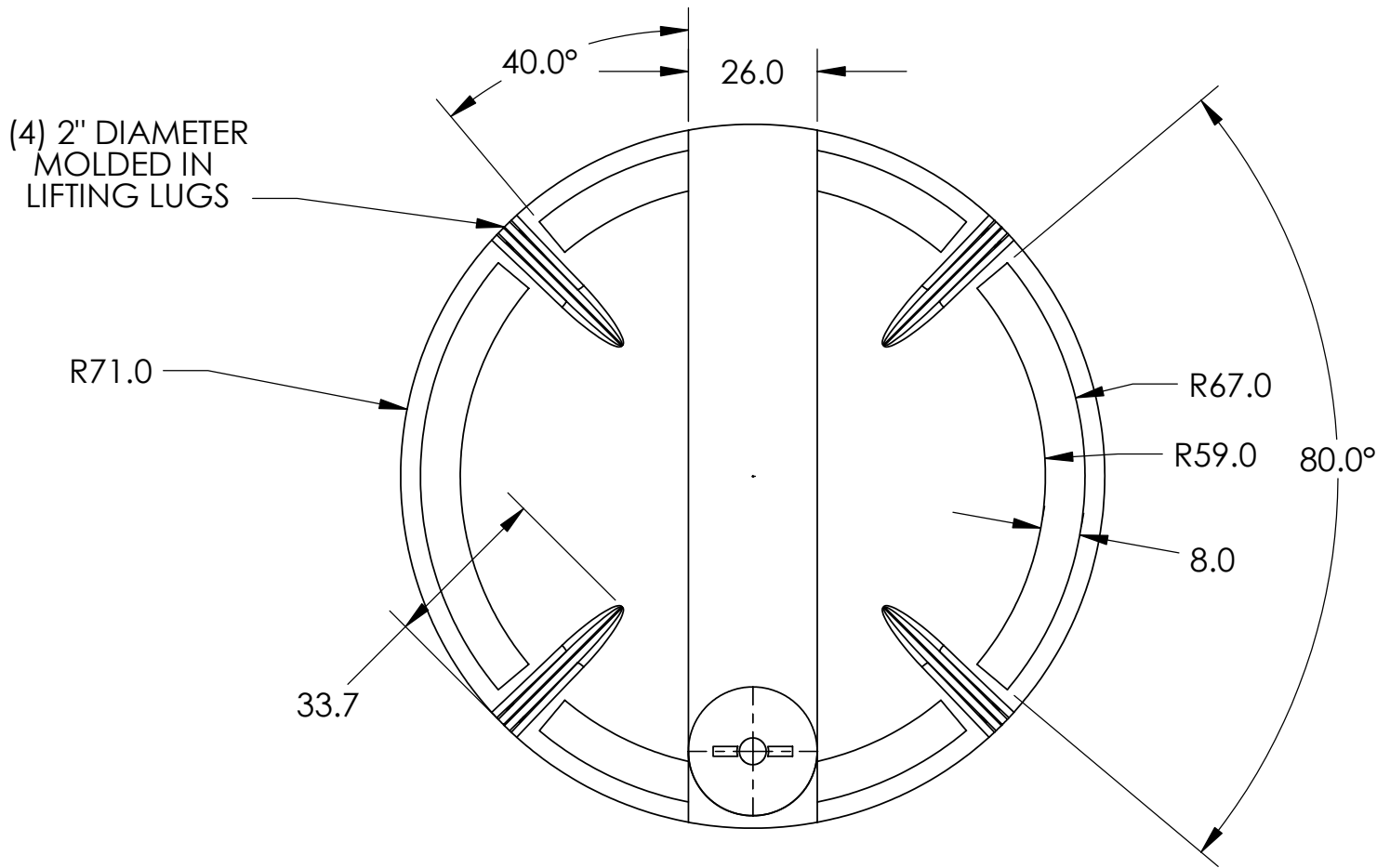
4

3

2

1

PRELIMINARY DRAWING USE ONLY AS REFERENCE DRAWING HAS NOT BEEN ISSUED FOR MOLD.



### PLAN VIEW

**PROPRIETARY AND CONFIDENTIAL**  
 THE INFORMATION CONTAINED IN THIS DRAWING IS THE SOLE PROPERTY OF BAILIFF ENTERPRISES, INC. ANY REPRODUCTION IN PART OR AS A WHOLE WITHOUT THE WRITTEN PERMISSION OF BAILIFF ENTERPRISES, INC. IS PROHIBITED.

		UNLESS OTHERWISE SPECIFIED:		NAME	DATE
		DIMENSIONS ARE IN INCHES TOLERANCES: 1% @ 68 DEGREE F	DRAWN	MPS	8/10/04
			CHECKED	MPS	
			ENG APPR.	MPS	
			MFG APPR.	DB	
		INTERPRET GEOMETRIC TOLERANCING PER:	Q.A.	JF	
		MATERIAL: NATURAL HDPE 8660.29	COMMENTS: 1.5 S.G RATED WEIGHT: 3000 LBS 1.9 S.G RATED WEIGHT: 3400 LBS.		
		FINISH SMOOTH			
NEXT ASSY					
APPLICATION		DO NOT SCALE DRAWING			

BAILIFF ENTERPRISES, INC. 8423 AIRLINE DRIVE HOUSTON, TEXAS 77037		
TITLE: 10500 GALLON VERTICAL STORAGE TANK		
SIZE <b>A</b>	DWG. NO. VTB10500-42	REV
NTS	WEIGHT:	SHEET 3 OF 3