



Multi-port valves are used to either divert or split flow between two different lines or tanks. Available in a range of materials for various applications.



See page 73 for valve actuation.

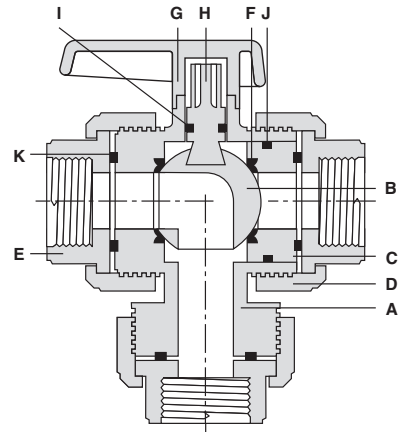
This catalog contains information on parts offered at the date of printing. Please refer to our current list price sheets for any additional parts or sizes now offered.



Each and every industrial ball valve is tested under high pressure for structural integrity and low pressure for a bubble-tight seal.

CUSTOMER SERVICE
Michigan (800) 374 0234
Florida (800) 432 6224
www.colonialengineering.com

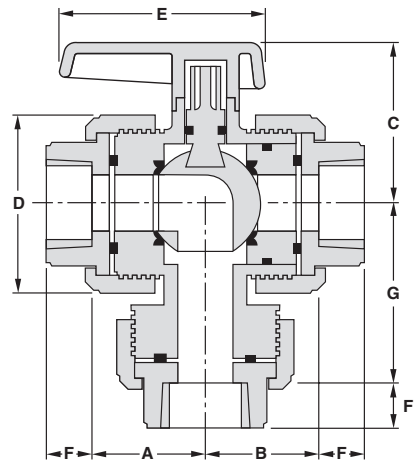
- 100% thermoplastic design eliminates process or atmospheric corrosion.
- Tri-union design permits easy removal and replacement.
- 180° handle operation.
- “L” port design with fluid flow control options: left, center or right.
- Teflon® seats provide a no leak, “bubble tight” seal.
- O-rings made of EPDM or o-rings made of Viton®
- Pressures up to 235 psi @ 73°F (non-shock water) on some valve sizes.
- I.D. of valve in open position same as I.D. of schedule 80 pipe—minimum pressure and head loss.
- Socket dimensions meet all ASTM requirements. PVC: D-2467, D-2464; CPVC: F-439, F-437.



COMPONENTS AND MATERIALS

Part Letter	Component	Quantity	Material
A	Body	1	PVC, CPVC
B	Ball	1	PVC, CPVC
C	Carrier	1	PVC, CPVC
D	Union Nut	3	PVC, CPVC
E	Connector	3	PVC, CPVC
F	Ball Seat	2	Teflon®
G	Handle	1	ABS
H	Stem	1	PVC, CPVC
I	Stem O-Ring	1	EPDM, Viton®
J	Carrier O-Ring	1	EPDM, Viton®
K	Face O-Ring	3	EPDM, Viton®

Teflon® is a registered trademark of DuPont. Only DuPont makes Teflon. Viton® is a registered trademark of DuPont Dow Elastomers.

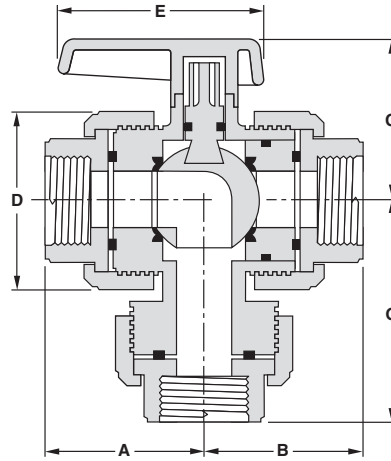


MULTI-PORT BALL VALVES
Slip X Slip

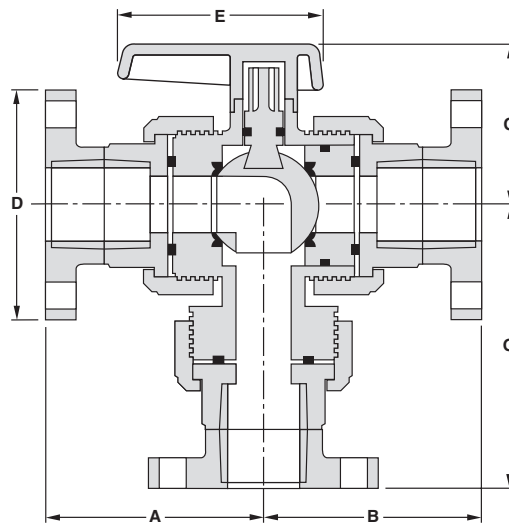
	1/2"	3/4"	1"	1-1/4"	1-1/2"	2"
A	1-5/16	1-23/32	1-3/4	1-7/8	2-5/32	2-7/16
B	1-5/16	1-23/32	1-3/4	1-7/8	2-5/32	2-7/16
C	1-31/32	2-3/8	2-5/8	2-13/16	3-13/16	4-1/16
D	2	2-7/16	2-13/16	3-5/16	3-25/32	4-7/16
E	3-3/16	3-23/32	3-15/16	4-3/8	5-3/16	5-3/16
F	2-9/32	1	1 1/8	1-1/4	1-7/16	1-17/32
G	1-15/16	3-19/32	2-11/16	2-25/32	3-7/16	4-3/32

COMPRESSED AIR WARNING

The products in this catalog are only intended for use in transferring or storing chemically compatible pressurized liquids. **Do not test or use products in this catalog with compressed air or other gases.** Doing so is dangerous and could cause injury or great bodily harm should a system fail under compressed air. Only use products that are specifically designed for compressed air/gas service. Call Colonial technical service for more information.


MULTI-PORT BALL VALVES
 FPT X FPT

	1/2"	3/4"	1"	1-1/4"	1-1/2"	2"
A	2	2-1/4	2-5/8	3-5/32	3-3/16	3-15/32
B	2	2-1/4	2-5/8	3-5/32	3-3/16	3-15/32
C	1-31/32	2-3/8	2-5/8	2-13/16	3-13/16	4-1/16
D	2	2-7/16	2-13/16	3-5/16	3-25/32	4-7/16
E	3-3/16	3-23/32	3-15/16	4-3/8	5-3/16	5-3/16
G	2-11/16	3-3/16	3-9/16	4-1/16	4-15/32	5-1/8


MULTI-PORT BALL VALVES
 Flanged

	1/2"	3/4"	1"	1-1/4"	1-1/2"	2"
A	3-9/32	4-5/32	4-5/32	4-17/32	5-5/32	5-11/16
B	3-9/32	4-5/32	4-5/32	4-17/32	5-5/32	5-11/16
C	1-31/32	2-3/8	2-5/8	2-13/16	3-13/16	4-1/16
D	3-15/32	3-7/8	4-1/4	4-19/32	5	6
E	3-3/16	3-23/32	3-15/16	4-3/8	5-3/16	5-3/16
G	3-29/32	6-1/32	5-3/32	5-7/16	6-7/16	7-11/32



MAXIMUM TORQUE VALUES (in-lbs)

Valve Size	Opening Torque
1/2"	5
3/4"	35
1"	60
1-1/4"	100
1-1/2"	110
2"	180

FLUID FLOW COEFFICIENT

Valve Size	Cv*
1/2"	8
3/4"	19
1"	36
1-1/4"	55
1-1/2"	55
2"	149

*Gallons per minute @ 1 psi pressure drop.

MAXIMUM PRESSURE/TEMPERATURE

See **Table 4** (page 10) & **Table 5** (page 11) for maximum pressure at various temperatures.

PVC WITH EPDM O-RINGS

Style	1/2"	3/4"	1"	1-1/4"	1-1/2"	2"
Socket	V07161B	V08161B	V10161B	V14161B	V17161B	V20161B
Thread	V07171B	V08171B	V10171B	V14171B	V17171B	V20171B
Flange	V07181B	V08181B	V10181B	V14181B	V17181B	V20181B

PVC WITH VITON® O-RINGS

Style	1/2"	3/4"	1"	1-1/4"	1-1/2"	2"
Socket	V07162B	V08162B	V10162B	V14162B	V17162B	V20162B
Thread	V07172B	V08172B	V10172B	V14172B	V17172B	V20172B
Flange	V07182B	V08182B	V10182B	V14182B	V17182B	V20182B

CPVC WITH VITON® O-RINGS

Style	1/2"	3/4"	1"	1-1/4"	1-1/2"	2"
Socket	V07164B	V08164B	V10164B	V14164B	V17164B	V20164B
Thread	V07174B	V08174B	V10174B	V14174B	V17174B	V20174B
Flange	V07184B	V08184B	V10184B	V14184B	V17184B	V20184B