



Butterfly valves are ideal for use as throttling valves. With the 10-position index plate, it is easy to repeat consistent flow conditions. Compact in design, this valve is used when space is at a premium.

Like the true union, this valve is ideally suited for the most demanding industrial, commercial, agricultural and irrigation environments.



See page 73 for valve actuation.

This catalog contains information on parts offered at the date of printing. Please refer to our current list price sheets for any additional parts or sizes now offered.

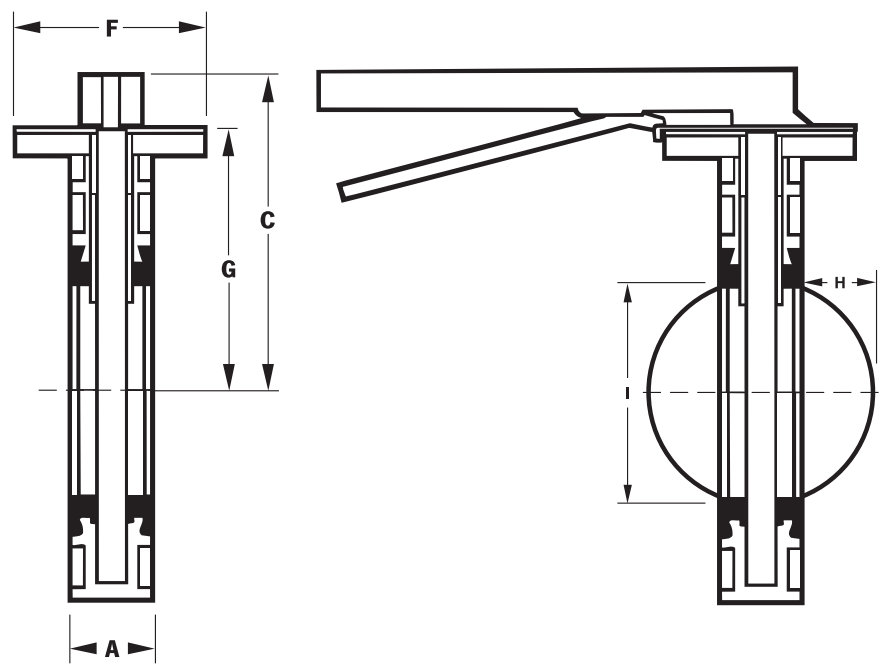
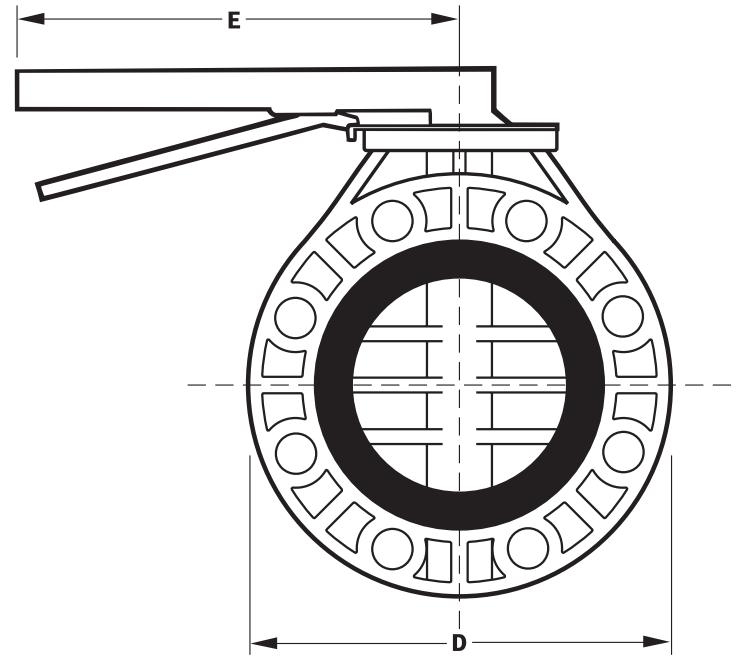


Each and every butterfly valve is tested under high pressure for structural integrity and low pressure for a bubble-tight seal.



**BUTTERFLY VALVES (3", 4" & 6")**

- Corrosion-resistant thermoplastic body and disc.
- 100% bubble-tight seal.
- Stainless steel index plate and hardware.
- Extra heavy duty one piece PVC body.
- Bolt pattern meets ANSI, DIN specifications and AWWA dimensional standards.
- Triple seal design for maximum reliability.
- Pressure rated to 150 psi, temperatures to 140°F.
- Corrosion-resistant stainless steel shaft, heat treated for maximum strength.
- Rugged, corrosion-resistant coated metal handle with positive lock.
- Up to 50% lighter in weight than metal valves.
- PVC disc with optimized strength/Cv performance.
- Engineered to accommodate most popular actuators: electric or pneumatic.
- 10-position index plate for precise control.
- Direct retrofit with many cast iron valves.
- Modular stem extension kits available in varying lengths.
- Integral boot seal (flange gaskets not required).
- Lay length and stem diameter are compatible with Keystone Figure 100 butterfly valves.



**BUTTERFLY VALVES DIMENSIONS**

	3"	4"	6"
A	1-3/4	2	2-3/16
C	6-5/16	7-3/4	8-3/8
D	7-1/2	9	11-7/32
E	9-1/2	9-1/2	11-3/4
F	4-3/16	4-3/16	5-1/32
G	4-7/8	6-9/32	7

**BUTTERFLY VALVE 90° OPEN**

	3"	4"	6"
H	5/8	1	1-31/32
I	2-3/8	3-3/8	5-1/2



### VALVE SIZES

Valve Size	Part Number
3"	V30311N
4"	V40311N
6"	V60311N

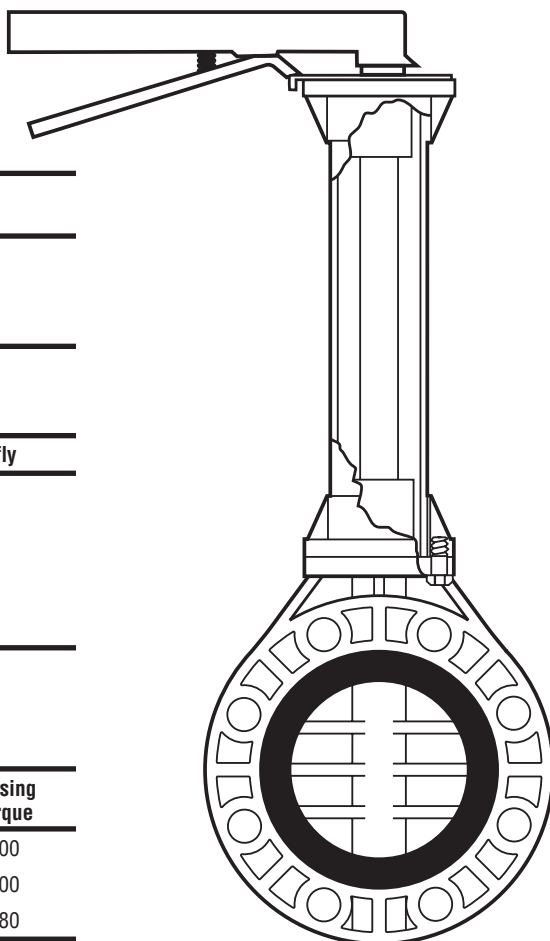
### ACCESSORIES AVAILABLE

	Butterfly
Stem Extensions	X
2" Operating Nut	X
Locking Handles	X
Gear Operators (Wheel or Chain)	X

Please contact customer service for information.

### TORQUE VALUES (in-lbs)

Valve Size	Opening Torque	Closing Torque
3"	225	200
4"	325	300
6"	520	480



### STEM EXTENSIONS

Stem extensions are available for Colonial's 3", 4" and 6" butterfly valve line.

The extensions are ideally suited for buried or insulated piping applications and can be tailored to meet specific lengths.

### MAXIMUM PRESSURE/TEMPERATURE

See Table 4 (page 10) & Table 5 (page 11) for maximum pressure at various temperatures.

### BOLT SPECIFICATIONS

Pipe Size (in)	Number Flange Holes	USS Std.	USS Std.	SAE Std.		Rec. Torque (ft-lbs)
		Hex Head Bolt Diameter (in)	Hex Nut Size (in)	Flat Washer (in) Size	O.D.	
3"	4/8	5/8	5/8	5/8	5/16	20-30
4"	8	5/8	5/8	5/8	1-5/16	20-30
6"	8	3/4	3/4	3/4	1-1/2	35-50

### FLUID FLOW COEFFICIENT Cv\*

Valve Size	Degrees/Open								
	10°	20°	30°	40°	50°	60°	70°	80°	90°
3"	4.3	16	35	62	94	135	180	235	290
4"	8.6	34	76	137	215	310	420	550	690
6"	17.5	67	200	265	410	580	790	1040	1340

\* Gallons per minute @ 1 psi pressure drop

**COMPRESSED AIR WARNING**

The products in this catalog are only intended for use in transferring or storing chemically compatible pressurized liquids. **Do not test or use products in this catalog with compressed air or other gases.** Doing so is dangerous and could cause injury or great bodily harm should a system fail under compressed air. Only use products that are specifically designed for compressed air/gas service. Call Colonial technical service for more information.



**BUTTERFLY VALVES (3", 4" & 6")**