

Heavy-duty, full-face wafer style Butterfly valves for controlling the flow of slurries, water, or chemicals. The gear operator with position indicator provides excellent throttling capability and ease of operation.

FEATURES AND BENEFITS

- Molded, corrosion resistant one-piece PVC body/EPDM boot-seal and o-rings/polypropylene disc
- 100% bubble tight shut-off
- Bolt pattern meets ANSI/ASME B16.5 Class 150 standard
- Bi-directional: can be installed in either direction
- Rugged coated metal gear box and hand wheel with stainless steel hardware
- Direct retro-fit with many cast iron valves

Note: Colonial also offers low-torque, lever-actuated butterfly valves in 2 through 8" sizes.

2 through 12" butterfly valves are also available by special order for project sales in the following material combinations:

- PVC/Viton®
- CPVC/Viton®
- CPVC/EPDM
- PP/Viton®

Please call our customer service department for pricing and availability.

SAMPLE ENGINEERING SPECIFICATION

Thermoplastic butterfly valve bodies shall be constructed from PVC Type I, cell class 12454 material (one-piece molded). Valve seals and o-rings shall be EPDM. Bolt pattern shall conform to ANSI/ASME B 16.5 Class 150 standards. Disc shall be constructed of PP material (one-piece molded). Gear operator shall include a position indicator. Valves shall be pressure rated at 150 psi, non-shock water at 73°F (8 and 10") and 100 psi, non-shock water at 73°F (12").

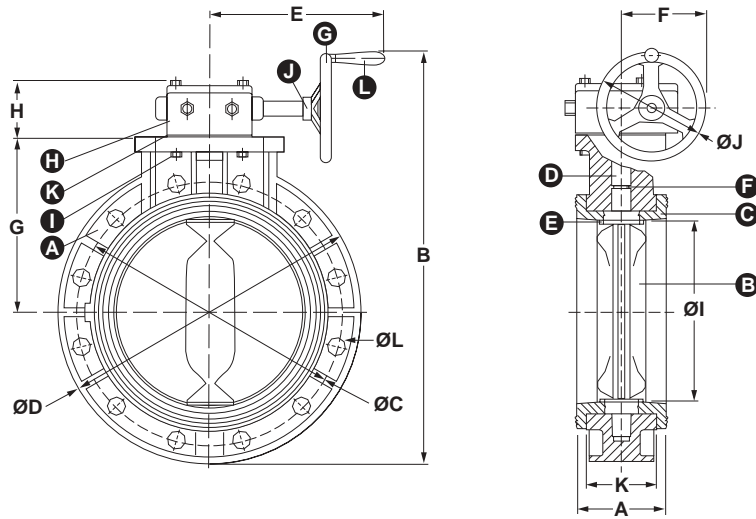


TEMPERATURE CORRECTION FACTORS FOR VALVES & UNIONS (ABOVE 73° F)

Temp (° F)	PVC	CPVC
73	1.00	1.00
80	.88	.96
90	.75	.92
100	.62	.85
110	.50	.77
120	.40	.70
130	.30	.62
140	.22	.55
150	NR	.47
160	NR	.40
170	NR	.32
180	NR	.25
200	NR	.18
210	NR	.15
240	NR	NR
280	NR	NR

NR: Not Recommended

Viton® is a registered trademark of Dupont Dow Elastomers.



COMPONENTS AND MATERIALS

Part Letter	Component	Quantity	Material
A	Body	1	PVC, CPVC*
B	Disc	1	PP
C	Seal	1	EPDM, Viton®*
D	Stem	1	316 SS
E	O-Ring	2	EPDM, Viton®*
F	Stem O-Ring	2	EPDM, Viton®*
G	Handwheel	1	Powder Paint
H	Gear Box	1	Coated Metal
I	Bolt & Washer	4	304 SS
J	Spring Pin	1	Steel
K	Packing	1	EPDM, Viton®*
L	Small Handle	1	Steel

*CPVC and Viton® material choices are special order. Call for price and availability.

DIMENSIONS

Part No.	Size	A	B	ØC	ØD	E	F
V80311NG	8"	3-7/16"	21-1/4"	11-23/32"	13-1/2"	10-29/32"	6-3/16"
V100311NG	10"	4-11/32"	23-7/32"	14-1/4"	16-3/16"	10-15/16"	6-3/16"
V120311NG	12"	5-3/16"	28-1/32"	17"	19-9/32"	13"	7-9/32"

Part No.	Size	G	H	ØI	ØJ	K	ØL*
V80311NG	8"	8-9/32"	3"	7-7/8"	7-7/8"	3-1/16"	7/8"
V100311NG	10"	9-7/16"	3"	10-1/32"	7-7/8"	3-3/4"	1"
V120311NG	12"	11-11/16"	3"	12-1/4"	9-27/32"	4-1/2"	1"

*Flange bolt hole diameter: 8" = 8 flange bolt holes; 10 and 12" = 12 flange bolt holes.

PRESSURE RATINGS

Non-shock water at 73° F.

Valve Size	PSI
8 and 10"	150
12"	100

TORQUE VALUES

Valve Size	Opening Torque (Lbs.)
8"	613
10"	1,340
12"	1,864

COMPRESSED AIR WARNING

The products in this document are only intended for use in transferring or storing chemically compatible pressurized liquids. **Do not test or use products in this document with compressed air or other gases.** Doing so is dangerous and could cause injury or great bodily harm should a system fail under compressed air. Only use products that are specifically designed for compressed air/gas service. Call Colonial technical service for more information.