



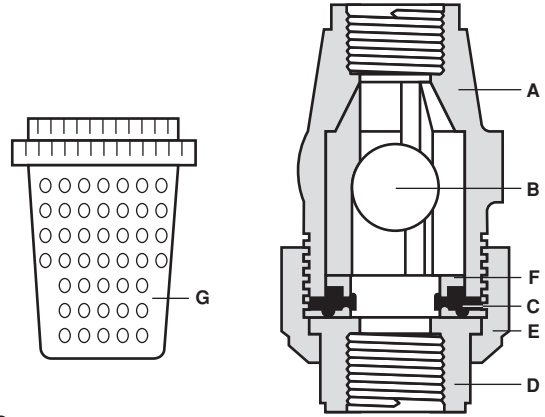
Ball check valves are used to prevent backflow. This valve is effective at preventing liquid storage tanks from unwanted drain down. It can also be used to protect pumps from the damaging effects of flow reversal.

This valve can be installed vertically or horizontally. If used in the vertical position, maintain at least 30" of head pressure to properly seat the ball. When used in the horizontal position, sufficient back flow and 30" of head pressure must be applied.



This catalog contains information on parts offered at the date of printing. Please refer to our current list price sheets for any additional parts or sizes now offered.

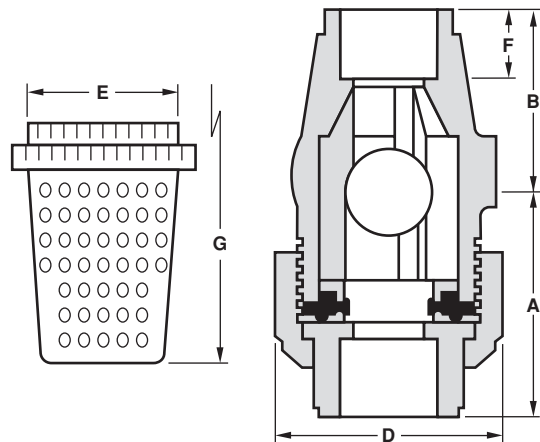
- 100% thermoplastic design eliminates process and atmospheric corrosion.
 - Excellent flow characteristics.
 - Union end connector simplifies valve maintenance.
 - Unique design prevents ball from sticking or chattering.
 - Long life seat made of Viton®.
 - Easily converted to foot valve with installation of strainer kit.
 - For use in vertical or horizontal* position, non-spring loaded.
- *When used horizontally, apply sufficient back flow and 30" of head pressure.*
- Floating ball design for positive seal.
 - Single union design permits removal of valve body for service.
 - Easily repairable.
 - Strainer kits in PVC.



COMPONENTS AND MATERIALS


Part Letter	Component	Quantity	Material
A	Body	1	PVC, CPVC, PP, PVDF
B	Ball	1	PVC, CPVC, PVDF
C	Ball Seat	1	Viton®
D	Connector	1	PVC, CPVC, PP, PVDF
E	Union Nut	1	PVC, CPVC, PP, PVDF
F	Stop Ring	1	PVC, CPVC, PP, PVDF
G	Strainer	1	PVC

Viton® is a registered trademark of Dupont Dow Elastomers. Corzan® is a registered trademark of the BFGoodrich Company.




BALL CHECK VALVES
Slip X Slip

	1/2"	3/4"	1"	1-1/4"	1-1/2"	2"	3"
A	2-1/4	2-11/16	2-15/16	3-15/32	3-5/8	4	4-1/4
B	1-5/8	1-31/32	2-3/32	2-7/16	2-7/16	3-3/16	4-3/16
C	None	None	None	None	None	None	None
D	2	2-1/2	2-13/16	3-25/32	3-3/4	4-3/16	7-3/16
E	2-3/8	2-7/8	3-9/32	4-9/32	4-9/32	4-25/32	None
F	15/16	1	1-5/32	1-1/4	1-13/32	1-13/16	1-29/32
G	3-7/8	4-22/32	5-1/32	5-29/32	5-29/32	7-3/16	None

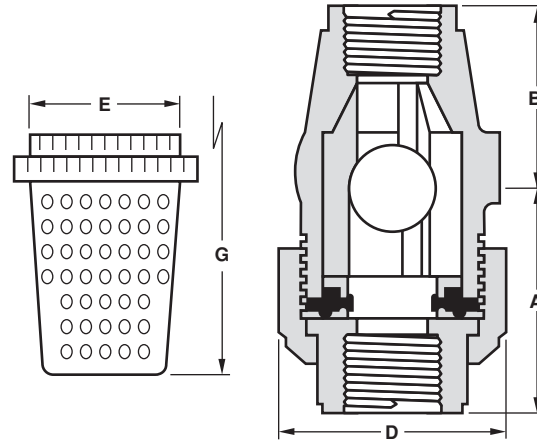


COMPRESSED AIR WARNING

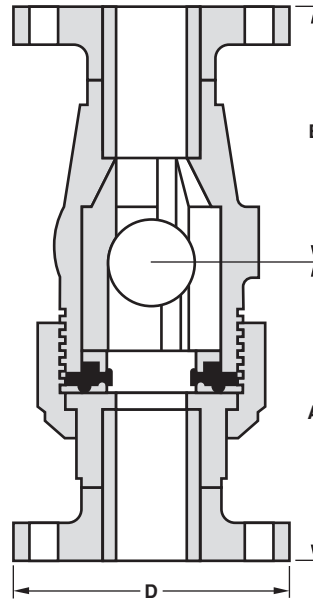
The products in this catalog are only intended for use in transferring or storing chemically compatible pressurized liquids. **Do not test or use products in this catalog with compressed air or other gases.** Doing so is dangerous and could cause injury or great bodily harm should a system fail under compressed air. Only use products that are specifically designed for compressed air/gas service. Call Colonial technical service for more information.



AIR/GAS


BALL CHECK VALVES
 FPT X FPT

	1/2"	3/4"	1"	1-1/4"	1-1/2"	2"	3"
A	2-1/32	2-5/16	2-23/32	3-15/32	3-11/16	3-15/32	4-9/32
B	1-5/8	1-31/32	2-3/32	2-7/16	2-7/16	3-3/16	4-3/16
C	None	None	None	None	None	None	None
D	2	2-1/2	2-13/16	3-25/32	3-3/4	4-3/16	7-3/16
E	2-3/8	2-7/8	1-7/32	4-9/32	4-9/32	4-25/32	None
F	None	None	None	None	None	None	None
G	3-7/8	4-22/32	5-1/32	5-29/32	5-29/32	7-3/16	None


BALL CHECK VALVES
 Flanged

	1/2"	3/4"	1"	1-1/4"	1-1/2"	2"	3"
A	3-5/16	4-1/8	4-7/32	4-7/8	5-3/16	5-23/32	6-11/32
B	2-11/16	3-13/32	3-3/8	3-27/32	4	4-29/32	6-9/32
C	None	None	None	None	None	None	None
D	3-15/32	3-7/8	4-1/4	4-19/32	5	6	7-1/2
F	None	None	None	None	None	None	None



FLUID FLOW COEFFICIENT

Valve Size	Cv*
1/2"	5
3/4"	10
1"	19
1-1/4"	37
1-1/2"	56
2"	101
3"	251

*Gallons per minute @ 1 psi pressure drop.

MAXIMUM PRESSURE/TEMPERATURE

See **Table 4** (page 10) & **Table 5** (page 11) for maximum pressure at various temperatures.

PVC BALL CHECK VALVES

Style	1/2"	3/4"	1"	1-1/4"	1-1/2"	2"	3"
Socket	V07222B	V08222B	V10222B	V14222B	V17222B	V20222B	V30222B
Thread	V07232B	V08232B	V10232B	V14232B	V17232B	V20232B	V30232B
Flange	V07242B	V08242B	V10242B	V14242B	V17242B	V20242B	V30242B

CPVC BALL CHECK VALVES

Style	1/2"	3/4"	1"	1-1/4"	1-1/2"	2"	3"
Socket	V07224B	V08224B	V10224B	V14224B	V17224B	V20224B	V30224B
Thread	V07234B	V08234B	V10234B	V14234B	V17234B	V20234B	V30234B
Flange	V07244B	V08244B	V10244B	V14244B	V17244B	V20244B	V30244B

PP BALL CHECK VALVES

Style	1/2"	3/4"	1"	1-1/4"	1-1/2"	2"	3"
Socket	V07226B	V08226B	V10226B	V14226B	V17226B	V20226B	V30226B
Thread	V07236B	V08236B	V10236B	V14236B	V17236B	V20236B	V30236B

PVDF BALL CHECK VALVES

Style	1/2"	3/4"	1"	1-1/2"	2"
Socket	V07228B	V08228B	V10228B	V17228B	V20228B
Thread	V07238B	V08238B	V10238B	V17238B	V20238B

FOOT VALVE STRAINER KITS

Material	1/2"	3/4"	1"	1-1/4"	1-1/2"	2"
PVC	V07221P	V08221P	V10221P	V14221P	V17221P	V20221P