



This valve is ideally suited for the most demanding industrial, commercial, agricultural and irrigation environments. Four different body materials and two different o-ring materials are available.

This valve is cost effective in systems that require only one union for dismantling. Ideally suited where full port, full flow and reparability are required.



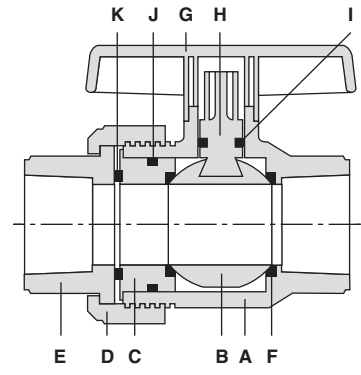
Each and every industrial ball valve is tested under high pressure for structural integrity and low pressure for a bubble-tight seal.



See page 73 for valve actuation. This catalog contains information on parts offered at the date of printing. Please refer to our current list price sheets for any additional parts or sizes now offered.



- Full port design (same I.D. as schedule 80 pipe) produces minimum turbulence at high flow rates.
- Smooth turning.
- Externally adjustable (no need to remove valve from line to adjust for seat wear).
- Socket dimensions meet all ASTM requirements. PVC: D-2467, D-2464; CPVC: F-439, F-437.
- O-rings made of EPDM or Viton®
- 100% thermoplastic design eliminates process or atmospheric corrosion. (Polypropylene and PVDF valves utilize a small stainless steel screw to retain the handle to the stem.)
- Body materials: PVC, CPVC, PP and PVDF.
- Easily disassembled for service.



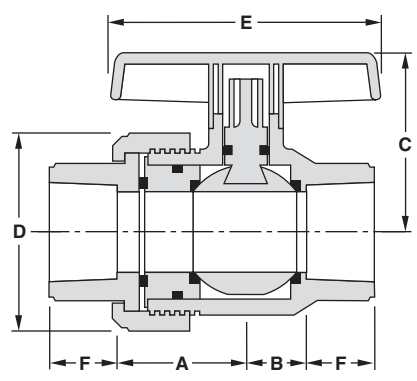
COMPONENTS AND MATERIALS

Part Letter	Component	Quantity	Material
A	Body	1	PVC, CPVC, PP, PVDF
B	Ball	1	PVC, CPVC, PP, PVDF
C	Carrier	1	PVC, CPVC, PP, PVDF
D	Union Nut	1	PVC, CPVC, PP, PVDF
E	Connector	1	PVC, CPVC, PP, PVDF
F	Ball Seat	2	Teflon®
G	Handle	1	ABS
H	Stem	1	PVC, CPVC, PP, PVDF
I	Stem O-Ring	1	EPDM, Viton®
J	Carrier O-Ring	1	EPDM, Viton®
K	Face O-Ring	1	EPDM, Viton®

Teflon® is a registered trademark of DuPont. Only DuPont makes Teflon. Viton® is a registered trademark of DuPont Dow Elastomers.

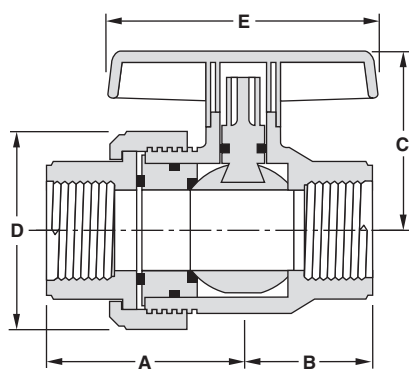
COMPRESSED AIR WARNING

The products in this catalog are only intended for use in transferring or storing chemically compatible pressurized liquids. **Do not test or use products in this catalog with compressed air or other gases.** Doing so is dangerous and could cause injury or great bodily harm should a system fail under compressed air. Only use products that are specifically designed for compressed air/gas service. Call Colonial technical service for more information.



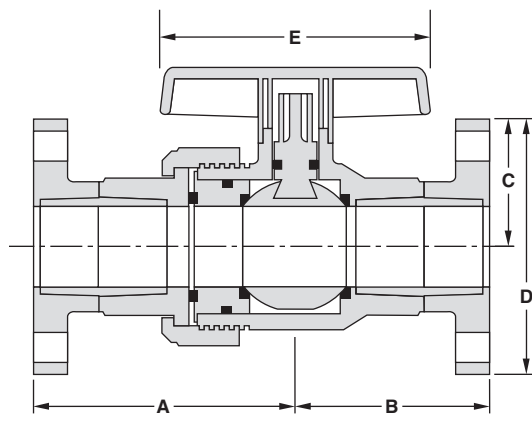
SINGLE UNION BALL VALVES
Slip X Slip

	1/2"	3/4"	1"	1-1/4"	1-1/2"	2"
A	1-9/32	1-9/16	1-13/16	1-29/32	2-1/4	2-7/16
B	11/16	27/32	15/16	1 1/8	1-1/8	1-13/32
C	1-7/8	2-3/8	2-11/16	2-25/32	3-11/32	3-31/32
D	2	2-7/16	2-13/16	3-11/32	3-25/32	4-5/32
E	3-1/4	3-7/16	4	4-11/32	5	5-15/16
F	29/32	1	1-1/8	1-1/4	1-13/32	1-17/32



SINGLE UNION BALL VALVES
FPT X FPT

	1/2"	3/4"	1"	1-1/4"	1-1/2"	2"
A	2	2-1/16	2-21/32	3-5/32	3-1/4	3-1/2
B	1-19/32	1-31/32	2-3/32	2-3/8	2-1/2	2-7/8
C	1-7/8	2-3/8	2-11/16	2-25/32	3-11/32	3-31/32
D	2	2-7/16	2-13/16	3-11/32	3-25/32	4-5/32
E	3-1/4	3-7/16	4	4-11/32	5	5-15/16



SINGLE UNION BALL VALVES
Flanged

	1/2"	3/4"	1"	1-1/4"	1-1/2"	2"
A	3-1/4	4	4-7/32	4-9/16	5-7/32	5-11/16
B	2-21/32	3-9/32	3-11/32	3-25/32	4-3/32	4-11/16
C	1-7/8	2-3/8	2-11/16	2-25/32	3-11/32	3-31/32
D	3-15/32	3-7/8	4-1/4	4-19/32	5	6
E	3-1/4	3-7/16	4	4-11/32	5	5-15/16



ACCESSORIES AVAILABLE

	Ball Valve
Stem Extensions	X
2" Operating Nut	X
Locking Handles	X

Please contact customer service for information.

MAXIMUM TORQUE VALUES (in-lbs)

Valve Size	Opening Torque
1/2"	5
3/4"	35
1"	60
1-1/4"	100
1-1/2"	110
2"	180

FLUID FLOW COEFFICIENT

Valve Size	Cv*
1/2"	24
3/4"	61
1"	125
1-1/4"	194
1-1/2"	310
2"	577

*Gallons per minute @ 1 psi pressure drop.

MAXIMUM PRESSURE/TEMPERATURE

See Table 4 (page 10) & Table 5 (page 11) for maximum pressure at various temperatures.

PVC WITH EPDM O-RINGS

Style	1/2"	3/4"	1"	1-1/4"	1-1/2"	2"
Socket	V07131B	V08131B	V10131B	V14131B	V17131B	V20131B
Thread	V07141B	V08141B	V10141B	V14141B	V17141B	V20141B
Flange	V07151B	V08151B	V10151B	V14151B	V17151B	V20151B

PVC WITH VITON® O-RINGS

Style	1/2"	3/4"	1"	1-1/4"	1-1/2"	2"
Socket	V07132B	V08132B	V10132B	V14132B	V17132B	V20132B
Thread	V07142B	V08142B	V10142B	V14142B	V17142B	V20142B
Flange	V07152B	V08152B	V10152B	V14152B	V17152B	V20152B

CPVC WITH VITON® O-RINGS

Style	1/2"	3/4"	1"	1-1/4"	1-1/2"	2"
Socket	V07134B	V08134B	V10134B	V14134B	V17134B	V20134B
Thread	V07144B	V08144B	V10144B	V14144B	V17144B	V20144B
Flange	V07154B	V08154B	V10154B	V14154B	V17154B	V20154B

PP WITH VITON® O-RINGS

Style	1/2"	3/4"	1"	1-1/4"	1-1/2"	2"
Socket	V07136B	V08136B	V10136B	V14136B	V17136B	V20136B
Thread	V07146B	V08146B	V10146B	V14146B	V17146B	V20146B

PVDF WITH VITON® O-RINGS

Style	1/2"	3/4"	1"	1-1/4"	1-1/2"	2"
Socket	V07138B	V08138B	V10138B	V14138B	V17138B	V20138B
Thread	V07148B	V08148B	V10148B	V14148B	V17148B	V20148B