

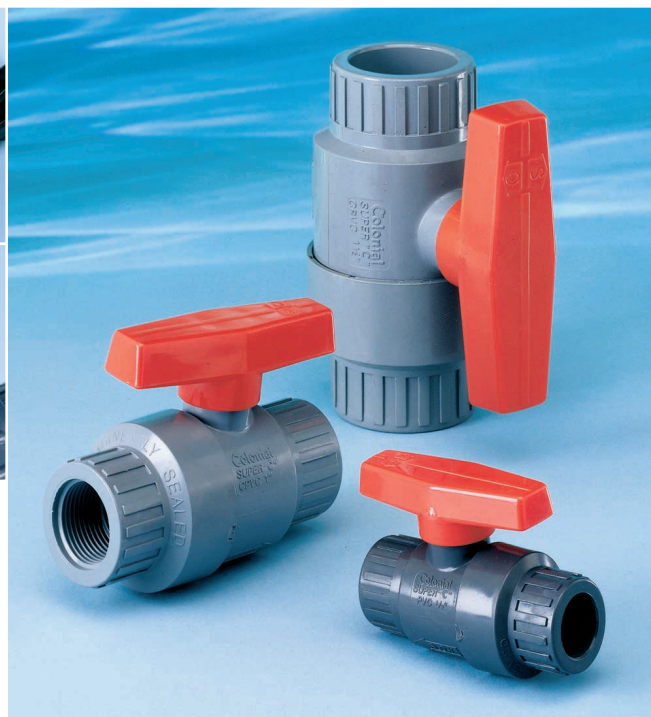


When compared with other brands of compacts this valve is in a class by itself. It utilizes the same ball and stem as our true union valve. This means it has the same robust stem diameter and two stem o-rings as the true union. It is the only compact valve with a separate and independent floating carrier. This provides the valve with the longest turning life and lowest torque on the market. As the seat and ball wear, the floating carrier automatically moves forward to provide a positive seal.

Ideally suited for the most demanding industrial, commercial, agricultural and irrigation environments, this valve is permanently sealed at the factory and is not repairable. Available in PVC and CPVC with EPDM or Viton® o-rings.



New accessories available.



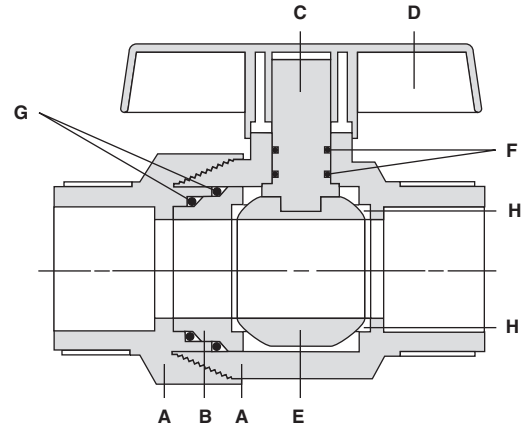
See page 73 for valve actuation. This catalog contains information on parts offered at the date of printing. Please refer to our current list price sheets for any additional parts or sizes now offered.



Each and every industrial ball valve is tested under high pressure for structural integrity and low pressure for a bubble-tight seal.



- Available with PVC or CPVC body; EPDM or Viton® o-rings.
- ABS handle available in a variety of colors.
- Floating ball design for high pressure, permanent seal.
- Two stem o-rings for double leak protection.
- Unique floating carrier design provides the longest turning life, lowest torque and smoothest turning on the market.
- Full port design (same I.D. as schedule 80 pipe) produces minimum turbulence at high flow rates.
- Teflon® ball seats.



COMPONENTS AND MATERIALS

Part Letter	Component	Quantity	Material
A	Body/End Piece	1	PVC, CPVC
B	Floating Carrier	1	PVC, CPVC
C	Stem	1	PVC, CPVC
D	Handle	1	ABS
E	Ball	1	PVC, CPVC
F	Stem O-Rings	2	EPDM, Viton®
G	Carrier O-Rings	2	EPDM, Viton®
H	Seats	2	Teflon®

Teflon® is a registered trademark of DuPont. Only DuPont makes Teflon. Viton® is a registered trademark of DuPont Dow Elastomers.

COLORED AND ROUND REPLACEMENT HANDLES FOR TRUE UNION AND SUPER C BALL VALVES

In many industrial or irrigation applications, it is beneficial to employ a simple, yet reliable method of identifying one pipeline from another. In addition to marking the pipe or valves, a color-code method can be implemented. Colonial's color replacement handles are available for 1/2 – 2" sizes of True Union and Super C Compact Ball Valves.

Round handles are offered for 1/2 – 1" True Union and Super C Ball Valves. Since the Open/Close Torque on these small diameter valves is low, the round handles are offered to prevent accidental movement of the handle from the bump of an arm or the catch of a pant leg.

COLORED AND ROUND REPLACEMENT HANDLES

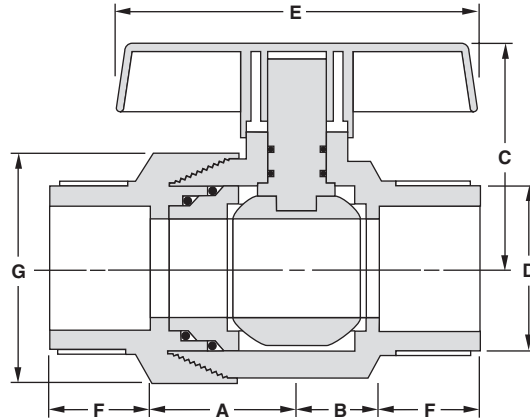
Color/Style	1/2"	3/4"	1"	1-1/4"	1-1/2"	2"
Black	V07101KBK	V08101KBK	V10101KBK	V14101KBK	V17101KBK	V20101KBK
Blue	V07101KBL	V08101KBL	V10101KBL	V14101KBL	V17101KBL	V20101KBL
Green	V07101KG	V08101KG	V10101KG	V14101KG	V17101KG	V20101KG
Yellow	V07101KY	V08101KY	V10101KY	V14101KY	V17101KY	V20101KY
White	V07101KW	V08101KW	V10101KW	V14101KW	V17101KW	V20101KW
Orange*	V07101K	V08101K	V10101K	V14101K	V17101K	V20101K
Round	V07101KR	V08101KR	V10101KR	N/A	N/A	N/A

*Stock Replacement

COMPRESSED AIR WARNING

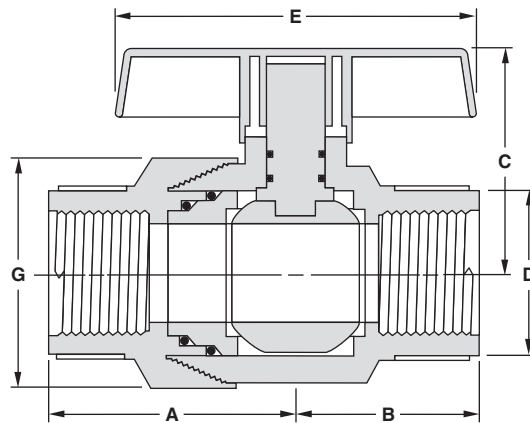
The products in this catalog are only intended for use in transferring or storing chemically compatible pressurized liquids. **Do not test or use products in this catalog with compressed air or other gases.** Doing so is dangerous and could cause injury or great bodily harm should a system fail under compressed air. Only use products that are specifically designed for compressed air/gas service. Call Colonial technical service for more information.

AIR/GAS


SUPER "C" BALL VALVES
 Slip X Slip

	1/2"	3/4"	1"	1-1/4"	1-1/2"	2"
A	1-7/32	1-15/32	1-9/16	2-1/4	2-1/8	2-3/16
B	11/16	3/4	31/32	1-5/16	1-3/16	1-7/16
C	1-7/8	2-11/32	2-5/8	3-1/2	3-1/2	3-7/8
D	1-11/32	1-9/16	1-7/8	2-19/32	2-19/32	3-1/8
E	3-7/32	3-7/16	4	5	5	5
F	7/8	1	1-1/8	1-1/4	1-3/8	1-1/2
G	1-25/32	2-7/32	2-17/32	3-1/2	3-1/2	4-3/16

- Larger stem design reduces the chance of stem breakage.
- Two stem stops for positive shut off.
- Pressure to 150 psi @ 73°F (non-shock water).
- 100% thermoplastic design eliminates process or atmospheric corrosion.
- 1/2" thru 2" sizes available.
- Available in schedule 80 socket or NPT (female) thread.
- Socket and threads meet dimensional requirements of ASTM D-2467, D-2464, F-439 and F-437.
- Easily actuated (actuator kits available).
- Designed and engineered in the U.S.A.
- For factory-customized, vented ball, see Valve Problems and Solutions on page 87.


SUPER "C" BALL VALVES
 FPT X FPT

	1/2"	3/4"	1"	1-1/4"	1-1/2"	2"
A	2-3/32	2-15/32	2-11/16	3-1/2	3-1/2	3-11/16
B	1-9/16	1-25/32	2-1/16	2-9/16	2-9/16	2-15/16
C	1-7/8	2-11/32	2-5/8	3-1/2	3-1/2	3-7/8
D	1-11/32	1-9/16	1-7/8	2-19/32	2-19/32	3-1/8
E	3-7/32	3-7/16	4	5	5	5
G	1-25/32	2-7/32	2-17/32	3-1/2	3-1/2	4-3/16



ACCESSORIES AVAILABLE

	Ball Valve
Stem Extensions	X
2" Operating Nut	X
Locking Handles	X

Please contact customer service for information.

FLUID FLOW COEFFICIENT

Valve Size	Cv*
1/2"	22
3/4"	55
1"	112
1-1/4"	178
1-1/2"	285
2"	540

*Gallons per minute @ 1 psi pressure drop.

MAXIMUM PRESSURE/TEMPERATURE

See **Table 4** (page 10) & **Table 5** (page 11) for maximum pressure at various temperatures.

PVC WITH EPDM O-RINGS

Style	1/2"	3/4"	1"	1-1/4"	1-1/2"	2"
Socket	V07191N	V08191N	V10191N	V14191N	V17191N	V20191N
Thread	V07201N	V08201N	V10201N	V14201N	V17201N	V20201N

NEW: PVC WITH VITON® O-RINGS

Style	1/2"	3/4"	1"	1-1/4"	1-1/2"	2"
Socket	V07192N	V08192N	V10192N	V14192N	V17192N	V20192N

CPVC WITH VITON® O-RINGS

Style	1/2"	3/4"	1"	1-1/4"	1-1/2"	2"
Socket	V07194N	V08194N	V10194N	V14194N	V17194N	V20194N
Thread	V07204N	V08204N	V10204N	V14204N	V17204N	V20204N