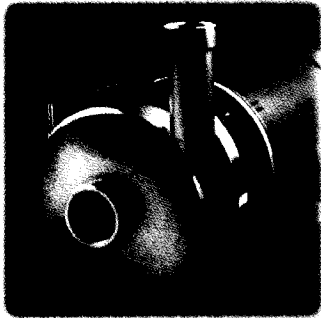


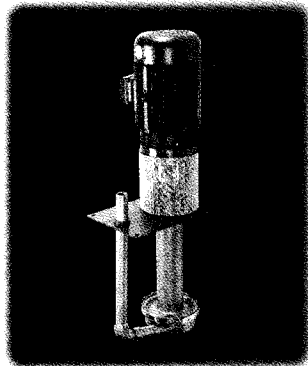
AP Series

SEALED METALLIC PUMPS

AC & AV Series Horizontal & Vertical Centrifugal Pumps 1/2 to 15 HP



AC6



AV8

Features

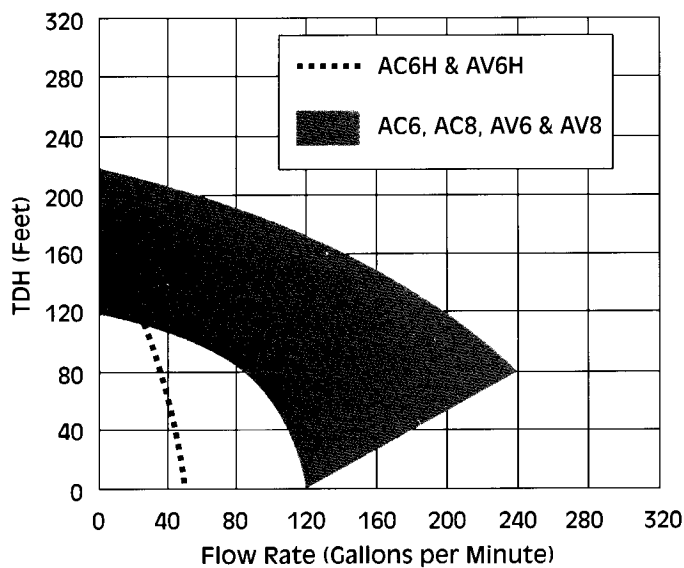
- Close coupled, pedestal mounted and vertical
- Corrosion resistant 316 stainless steel
- Standard NEMA 56C, 56J, 182-184TC, or 213-215TC motors
- NPT threads
- Compact design with secure V-clamp construction
- Standard or high head impellers
- Bellows Type 21 seals with Viton or EPDM
- Viton, EPDM, or carbon lower bushings for vertical pumps
- Maximum temperature 300°F (149°C)

Typical Applications

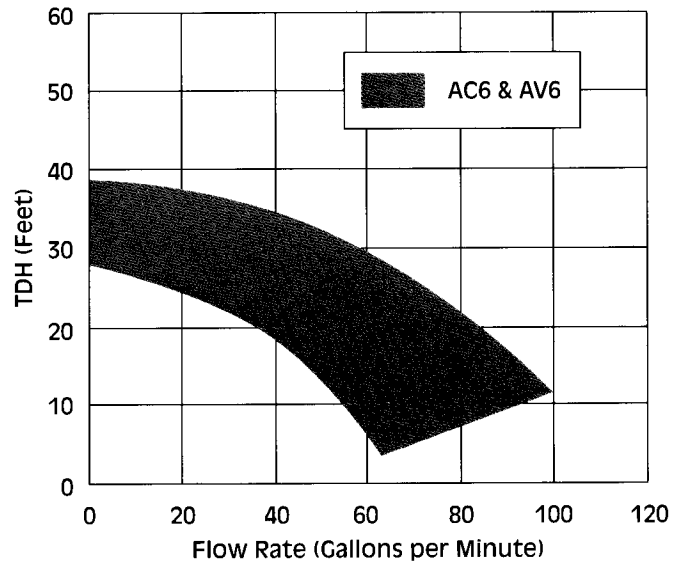
- Chemical processing, plating, photo processing, cleaning, printed circuit boards, pharmaceutical, waste water treatment, and cooling towers

Performance

60 Hz 3450 rpm



60 Hz 1725 rpm



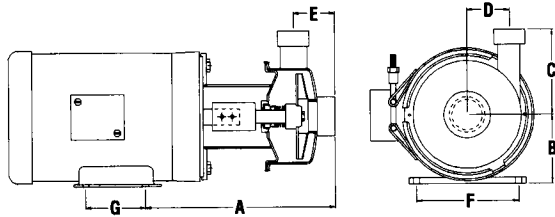
Specifications

MODEL	PORT SIZE*	IMPELLER SIZE	MAX. FLOW	MAX. HEAD	MOTOR DRIVE
	inch	inch	3450 rpm gpm	3450 rpm ft	3450 rpm hp
AC6/AV6	1-1/2 x 1-1/4 2 x 1-1/2	5-1/4 5-3/4 6	120-150	120-150	5 7-1/2
AC8/AV8	2 x 1-1/2 2-1/2 x 2	6-1/2 7 7-1/2	185-240	170-220	7-1/2 10 15
AC6H/AV6H	1-1/4 x 3/4	6-1/4	47	166	3
	inch	inch	1725 rpm gpm	1725 rpm ft	1725 rpm hp
AC6/AV6	1-1/2 x 1-1/4 2 x 1-1/2	5-1/4 5-3/4 6	65-100	28-37	1/2-3

*AV6 and AV8 are available in 2 x 1-1/2 ports only.

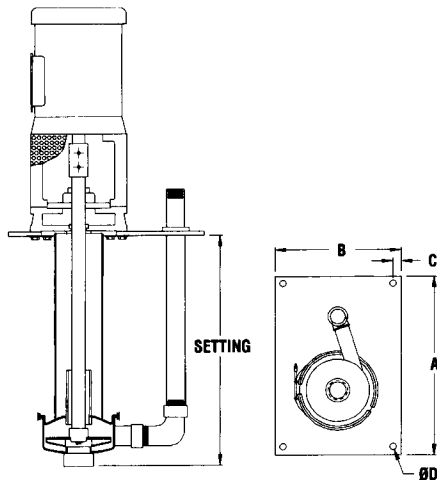
Dimensions

AC6 & AC8



MODEL/ FRAME	SUCTION	DISCHARGE	A	B	C	D	E	F	G
AC6STS 182-184TC	1-1/2	1-1/4	11-5/8	4-1/2	5-3/4	2-1/2	2-5/8	7-1/2	4-1/2/5-1/2
	2	1-1/2	11-7/8	4-1/2	5-3/4	2-7/16	3	7-1/2	4-1/2/5-1/2
56C	1-1/2	1-1/4	8-3/8	3-1/2	5-3/4	2-1/2	2-5/8	4-7/8	3
	2	1-1/2	8-5/8	3-1/2	5-3/4	2-7/16	3	4-7/8	3
AC6HTS 56C	1-1/4	3/4	7-3/8	3-1/2	5-1/4	2-7/8	2	4-7/8	3
AC8STS 213-215TC	2	1-1/2	13-7/8	5-1/4	7-5/16	3-3/8	2-7/8	8-1/2	5-1/2/7
	2-1/2	2	14-3/8	5-1/4	7-5/16	3	3	8-1/2	5-1/2/7

AV6 & AV8



MODEL/ FRAME	SUCTION	DISCHARGE	SETTING*	A	B	C	D
AV6/AV8 56C	2	1-1/2	24/36/48	18	12	3/4	9/16
182-184TC 213-215TC							
AV6HTS 56J	1-1/4	3/4	12/24/36	15	10	3/4	7/16

Note: All dimensions are in inches.

*Setting dimension is approximate.