

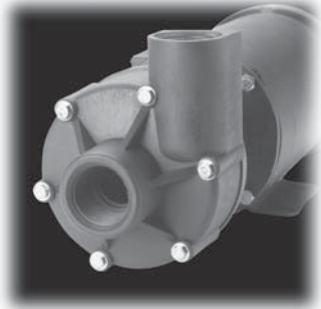
# GP Series

KTHSales presents:

MECHANICALLY SEALED PUMPS

## GP11, 22 & 32 Sealed Centrifugal Pumps

3/4 to 10 HP  
(.37 to 5.5 kw)



GP11



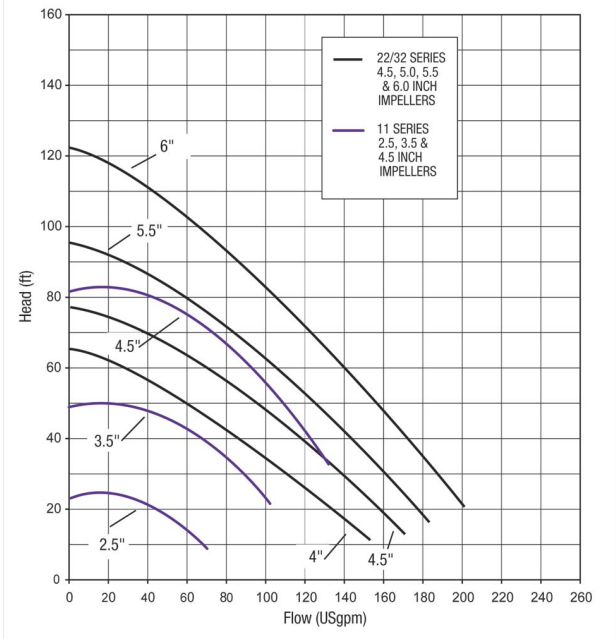
GP32

## Features

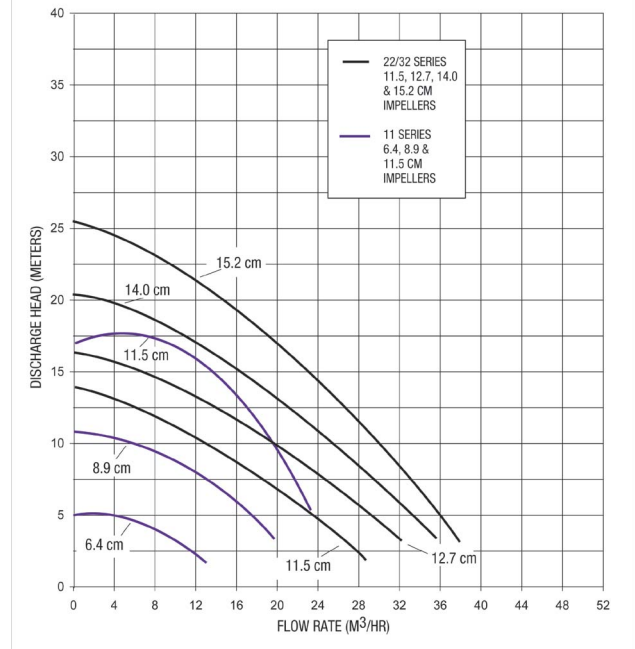
- Bellows, multispring or double type seals
- GF Polypropylene or CF PVDF
- Excellent chemical resistance
- Close coupled or pedestal mounted
- Accepts standard NEMA 56J, 56C, 145TC, 184JM, 143JM or IEC 80, 90, 100, 112 motor frames
- NPT threads or flanged connections
- Service friendly back pull-out design
- 1.8 specific gravity with no impeller trimming
- Maximum suction pressure
  - Bellows: 15 psi
  - Multispring: 65 psi
  - Double type: 65 psi

## Performance

### 60 Hz, 3450 rpm



### 50 Hz, 2900 rpm



# Specifications

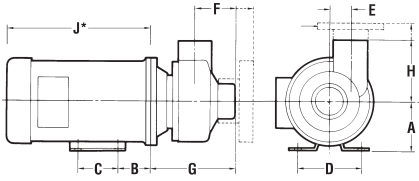
MODEL (CONSTRUCTION)	SUCTION DISCHARGE	IMPELLER SIZE		MAX. FLOW		MAX. HEAD		MOTOR DRIVE	
		inch	cm	3450 rpm gpm	2900 rpm m <sup>3</sup> /hr	3450 rpm ft	2900 rpm m	3450 rpm hp	2900 rpm kw
GP1125 (P, V)	1 1/2" FNPT	2.5	6.4	68	13.2	23	5.1	.75 - 1.5	.37 - .75
GP1135 (P, V)	1 1/2" FNPT	3.5	8.9	102	19.6	50	10.9	2 - 5	.75 - 1.5
GP1145 (P, V)		4.5	11.5	126	23.5	82	17	3 - 5	1.5 - 3.0
GP2245 (P, V)		4.5	11.5	154	29	65	14	3 - 5	1.1 - 2.2
GP2250 (P, V)	2" FNPT	5.0	12.7	170	32.3	77	16.6	3 - 5	1.5 - 3.0
GP2255 (P, V)	2" MNPT	5.5	14.0	185	35.3	96	20.7	5 - 7.5	2.2 - 4.0
GP2260 (P, V)		6.0	15.2	201	37.8	123	26.3	7.5 - 10	2.2 - 4.0
GP3245 (P, V)		4.5	11.5	154	29	65	14	3 - 5	1.1 - 2.2
GP3250 (P, V)	3" Flange	5.0	12.7	170	32.3	77	16.6	3 - 5	1.5 - 3.0
GP3255 (P, V)	2" Flange	5.5	14.0	185	35.3	96	20.7	5 - 7.5	2.2 - 4.0
GP3260 (P, V)		6.0	15.2	201	37.8	123	26.3	7.5 - 10	2.2 - 4.0

P - Polypropylene glass filled, carbon, high purity ceramic and viton. Maximum temperature 180°F (82°C).

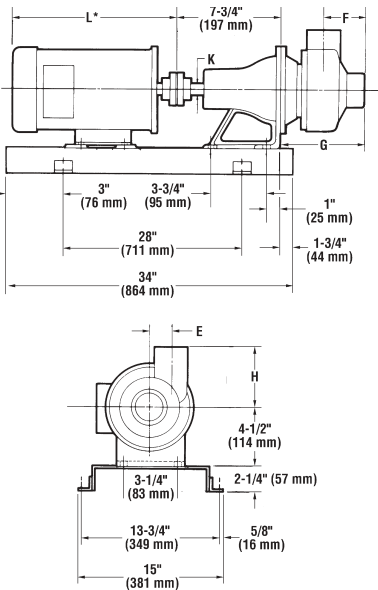
V - PVDF carbon filled, carbon, high purity ceramic and viton. Maximum temperature 220°F (104°C).

# Dimensions

## Close Coupled



## Pedestal Mounted



## With NEMA TEFC Motors (Inches)

MODEL	MOTOR FRAME	A	B	C	D	E	F	G	H	J*	K	L*
GP11	56J	3-1/2	2-3/4	3	4-7/8	2	2-15/16	6-1/8	4-7/8	12-1/8	3/4	13-7/8
	56C/145TC							8-3/4		12-1/8		
GP22	184JM	4-1/2	2-3/4	5-1/2	7-1/2	2-9/16	2-1/2	8-5/16	5-3/4	16-7/8	1	18-1/16
	143JM	3-1/2	2-1/4	5	5-1/2					13-3/8		14-1/4
GP32	184JM	4-1/2	2-3/4	5-1/2	7-1/2	2-9/16	3-1/2	8-7/16	5-3/4	16-7/8	1	18-1/16
	143JM	3-1/2	2-1/4	5	5-1/2					13-3/8		14-1/4

## With IP54 Motors (Millimeters)

MODEL	MOTOR FRAME	A	B	C	D	E	F	G	H	J*	K	L*
GP11	80	80	50	100	125	51	75	219	124	230	19	268
	90	90	56	125	140	51	75	219	124	250	19	312
GP22	90	90	56	125	140	65	64	237	146	250	25.4	312
	100	100	63	140	160	65	64	237	146	331	25.4	391
GP32	112	112	70	140	190	65	64	237	146	366	25.4	426
	90	90	56	125	140	65	89	240	146	250	25.4	312
GP32	100	100	63	140	160	65	89	240	146	331	25.4	391
	112	112	70	140	190	65	89	240	146	366	25.4	426

\*Differ by manufacturer



## FINISH THOMPSON INC.

921 Greengarden Road • Erie, PA 16501-1591 U.S.A.  
Ph 814-455-4478 • Fax 814-455-8518  
Email [fti@finishthompson.com](mailto:fti@finishthompson.com) • [www.finishthompson.com](http://www.finishthompson.com)

KTH Sales, Inc Merrillville, IN 46410  
ph: 219-736-0060 fax: 219-769-0362 [www.KTHSales.com](http://www.KTHSales.com)

