

**SP SERIES
SELF-PRIMING MAG DRIVE**

**SPEND LESS TIME WAITING.
AND MORE TIME PUMPING.**



FINISH THOMPSON INC.

Big on power yet short on energy consumption, the SP Series from Finish Thompson is one of the most versatile—and economical—centrifugal pumps on the market.

Backed by an industry best five-year warranty, it's also one of the most reliable.

The exclusive SP Series combines deep-lift capabilities (up to 25 feet/7.6 meters) and lightning-fast priming (18 feet/5.5 meters in 90 seconds) with the advantages of magnetic drive technology—ensuring ease of operation with no seal replacement, no leaks and the capability to run-dry without damage.

What's more, its innovative design and corrosion-resistant materials make the SP Series ideal for handling even the most difficult applications.



INTRODUCING THE SP SERIES.

**SELF-PRIMING
MAGNETIC
DRIVE PUMPS.**

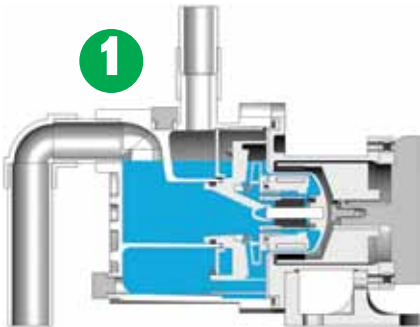
**PRIME UP TO
18 FEET IN 90
SECONDS.**

**RUN WORRY
FREE FOR YEARS.**

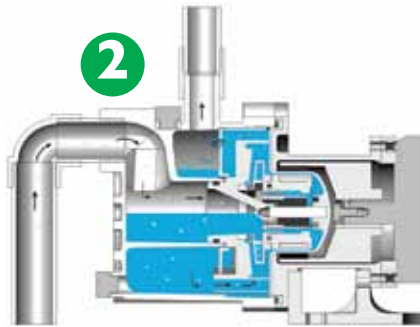


FINISH THOMPSON INC.

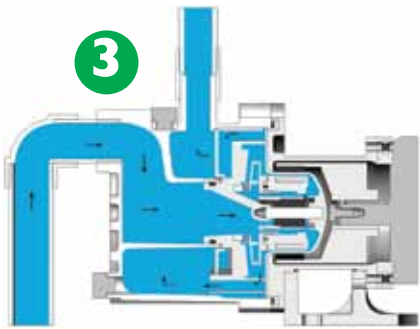
PRINCIPLES OF SELF-PRIMING



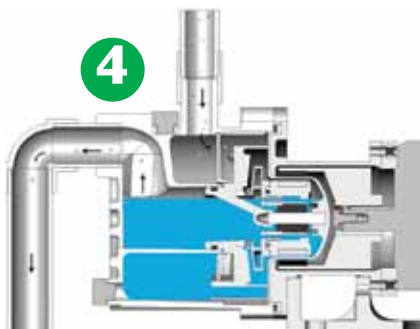
1



2



3



4

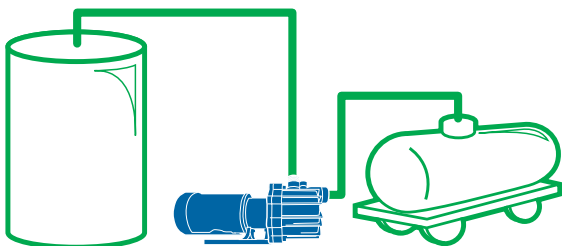
1 During pump installation, the priming housing is filled through the fill port.

2 As priming begins, air in the suction piping mixed with liquid in the priming chamber forms a vacuum in the inner volute. As they separate, the air rises out of the discharge piping while the liquid returns to the priming chamber.

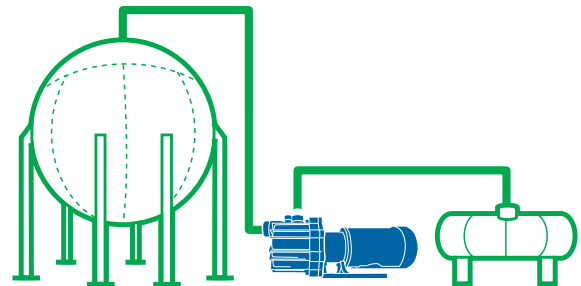
3 The circulation process continues until liquid replaces all the air in the suction piping, beginning the pumping process.

4 When the pump is shut off, the priming chamber's gooseneck design ensures that enough liquid is retained for efficient re-priming.

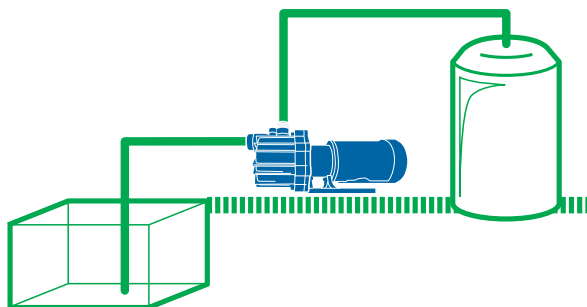
APPLICATIONS



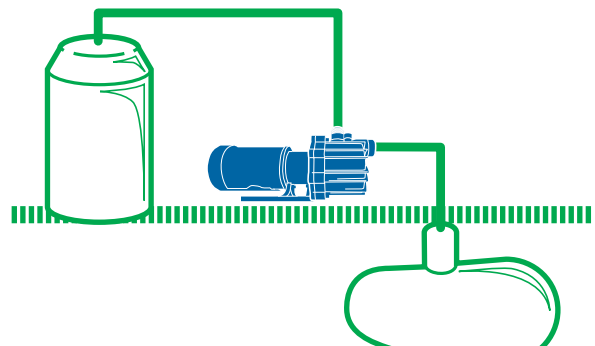
1 Transfer from top of rail cars or tanker trucks to bulk storage.



2 Transfer from bulk storage to process or day tanks.



3 Pump from underground sumps or pits to treatment tanks.



4 Pump from underground storage tanks to process or day tanks.

CAPABILITIES

- + Retains fluid for re-priming when shut off without a check valve
- + Runs without damage in absence of continuous flow
- + Provides up to 25 feet (7.6 meters) of lift*
- + Primes up to 18 feet (5.5 meters) in 90 seconds**
- + High working pressure—up to 90 psi (6.2 bar)
- + High specific gravity handling—over 1.8***
- + Maximum Temperature: Polypropylene—180° F (82° C); PVDF—220° F (104° C)

FEATURES

- + Five-year warranty
- + Polypropylene or PVDF construction
- + Sealless mag drive
- + Powerful neodymium magnets
- + Close-coupled with back pullout design
- + Mounts to NEMA and IEC motor frames
- + Replaceable shaft
- + ISO 1940 G2.5 balancing
- + CE certified

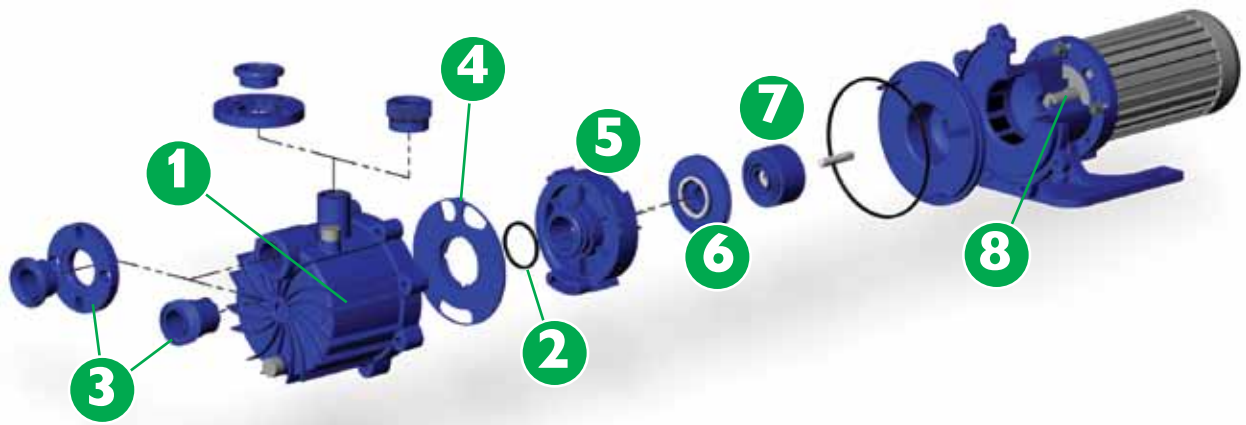
APPLICATIONS

- + Sumps
- + Underground storage tanks
- + Rail cars
- + Tanker trucks
- + Over-the-wall applications
- + Tanks with an opening on top
- + Piping systems that tend to have trapped or entrained air
- + When run dry protection is needed

* Lift determined on fresh, cold water:

** With maximum diameter impeller:

*** Specific gravity affects lift capability. Divide 25 feet (7.6 meters) by the specific gravity to determine maximum lift.



1. Thermoplastic Priming Chamber

Functions as a fluid reservoir and features molded-in “gooseneck” suction passage eliminating the need for internal check valves. Integral fill and drain ports are standard. Available in GF-PP or CF-PVDF for optimal corrosion resistance.

2. O-ring

Creates airtight seal between the inner volute and the “gooseneck” suction passage. Helps the pump maintain the vacuum required for proper priming.

3. Multiple Connections

NPT or BSP threads, raised face adjustable flanges or union.

4. Separator Plate

Acts as a barrier between the low velocity fluid reservoir and the high velocity area in the rear of the priming chamber. Openings allow liquid to flow to the impeller and discharge the air/liquid mixture created during priming back into the fluid reservoir.

5. Inner Volute

Houses the rotating impeller. Special design allows air to be efficiently removed from the suction passages for fast priming.

6. Multiple Impeller Diameters

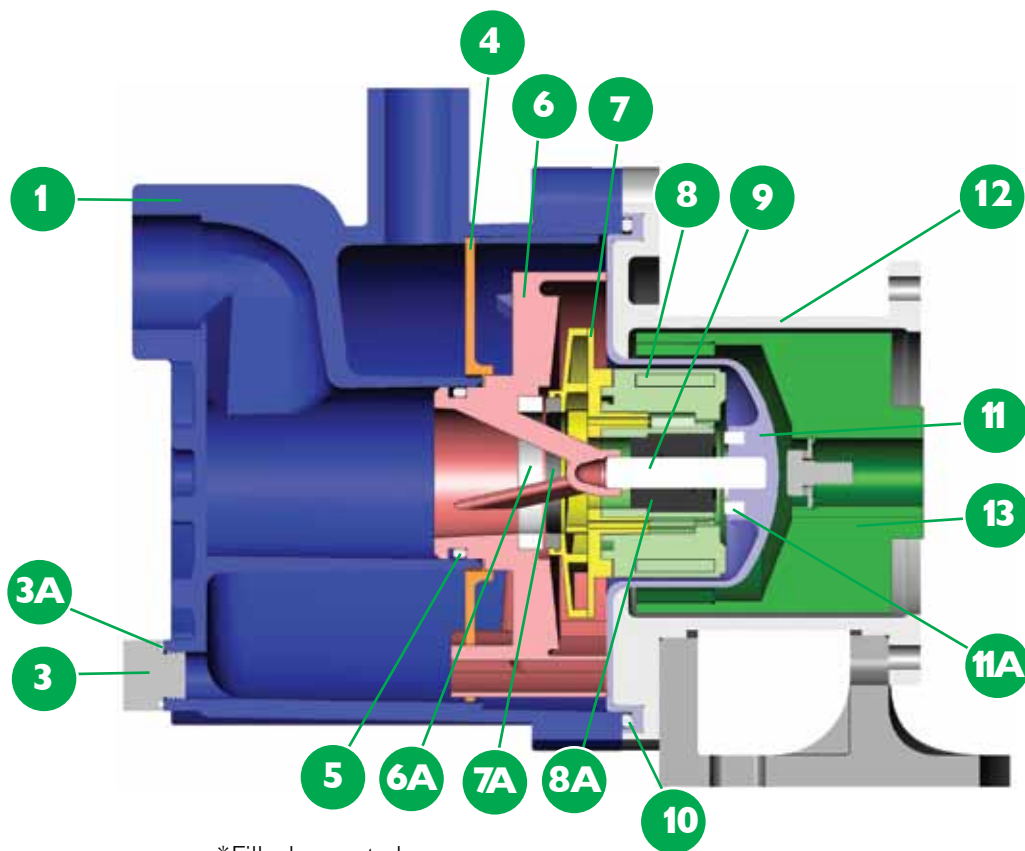
Allows hydraulic requirements to be precisely met. Two-piece impeller design allows impeller to be changed without having to replace inner drive.

7. Run Dry System

The SP can run dry without damage when equipped with a chemical grade carbon bushing in optimum operating conditions. This helps protect the pump from operator errors and system upsets.

8. Easy Set Outer Drive

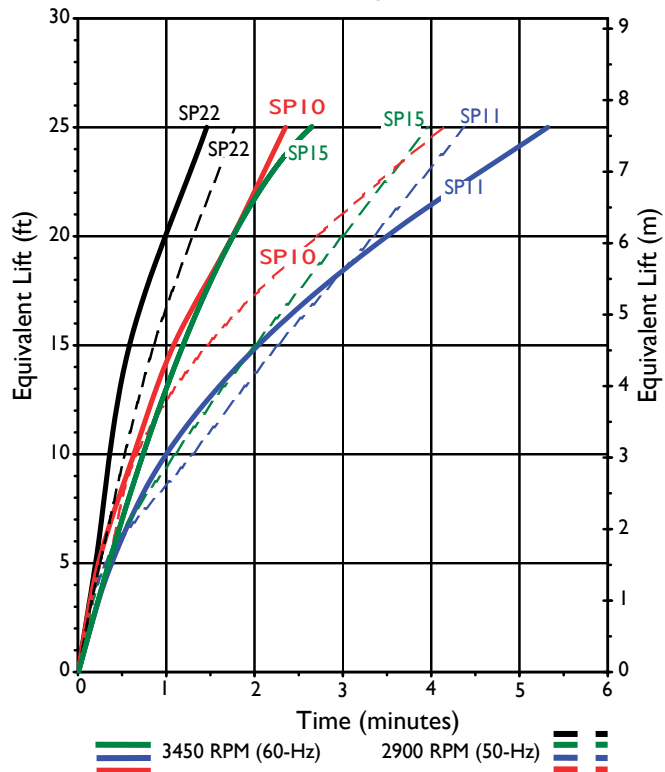
Measurement-free outer drive ensures optimum magnet alignment and easy motor installation.



*Fill plug not shown

Description	Polypropylene Models	PVDF Models
1 Housing		
4 Separator plate	Glass-fiber reinforced polypropylene	Carbon-fiber reinforced PVDF
6 Inner volute		
7 Impeller		
3A, 5, 10 O-ring options	FKM, EPDM	
3 Fill and drain plugs*	Polypropylene	PVDF
6A Inner volute thrust ring options	High purity alumina ceramic, silicon carbide	
7A Impeller thrust washer options	Molybdenum disulfide filled PTFE, silicon carbide	
8 Inner drive	Neodymium iron boron magnets encapsulated in unfilled polypropylene	Neodymium iron boron magnets encapsulated in unfilled PVDF
8A Bushing options	Carbon, PTFE, high purity alumina ceramic, silicon carbide	
9 Shaft options	High purity alumina ceramic, Hastelloy® C, silicon carbide	
11 Barrier	Glass-fiber reinforced polypropylene	Carbon-fiber reinforced PVDF
11A Barrier thrust ring	High purity alumina ceramic	
12 Motor adapter	Ductile iron or glass reinforced polypropylene	
13 Outer drive magnets	Nickel-plated neodymium iron boron magnets/steel	

SP Priming Times

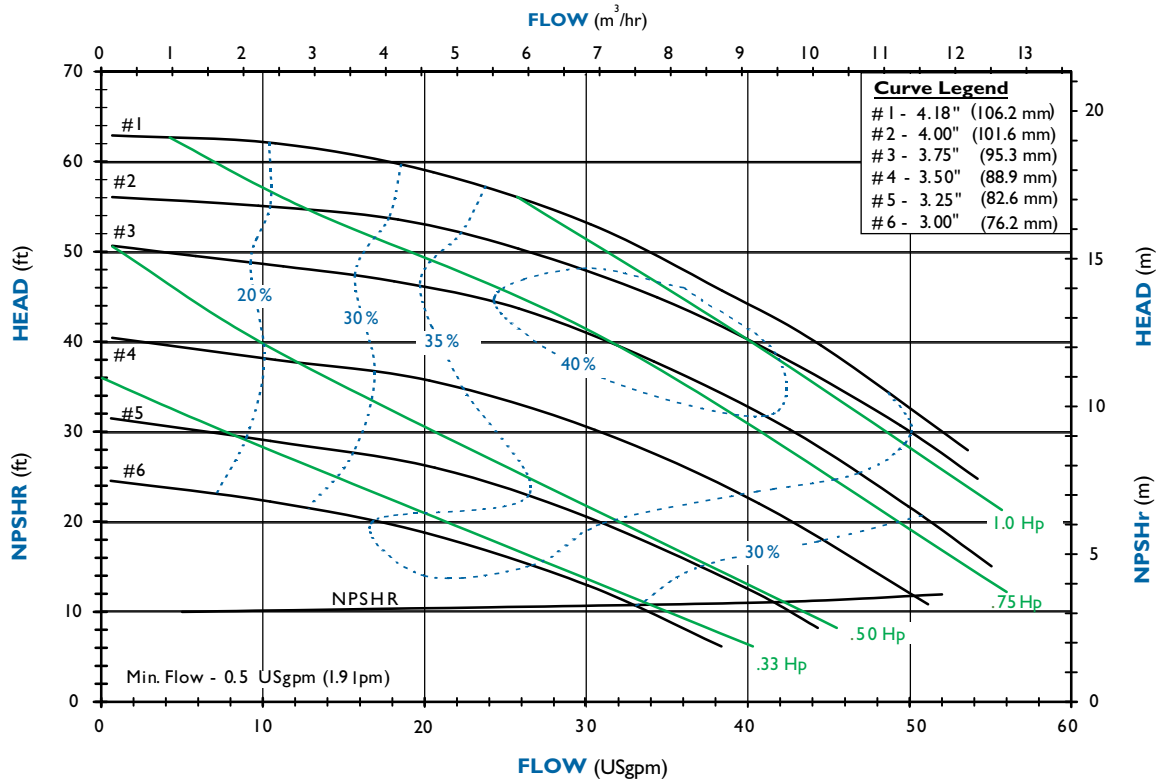


Hastelloy® C is a registered trademark of Haynes International, Inc.

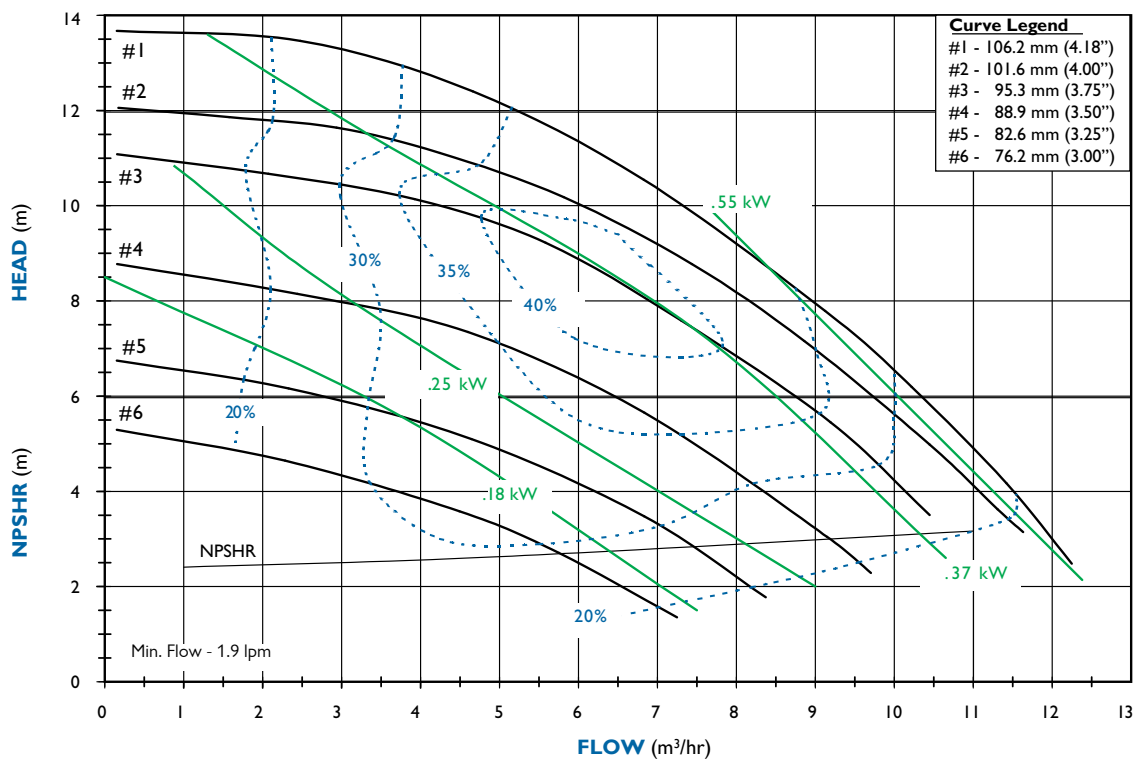
SP Series: Model SP10



SP10 PERFORMANCE - Flooded Suction - 3450 RPM



SP10 PERFORMANCE CURVES - Flooded Suction - 2900 RPM

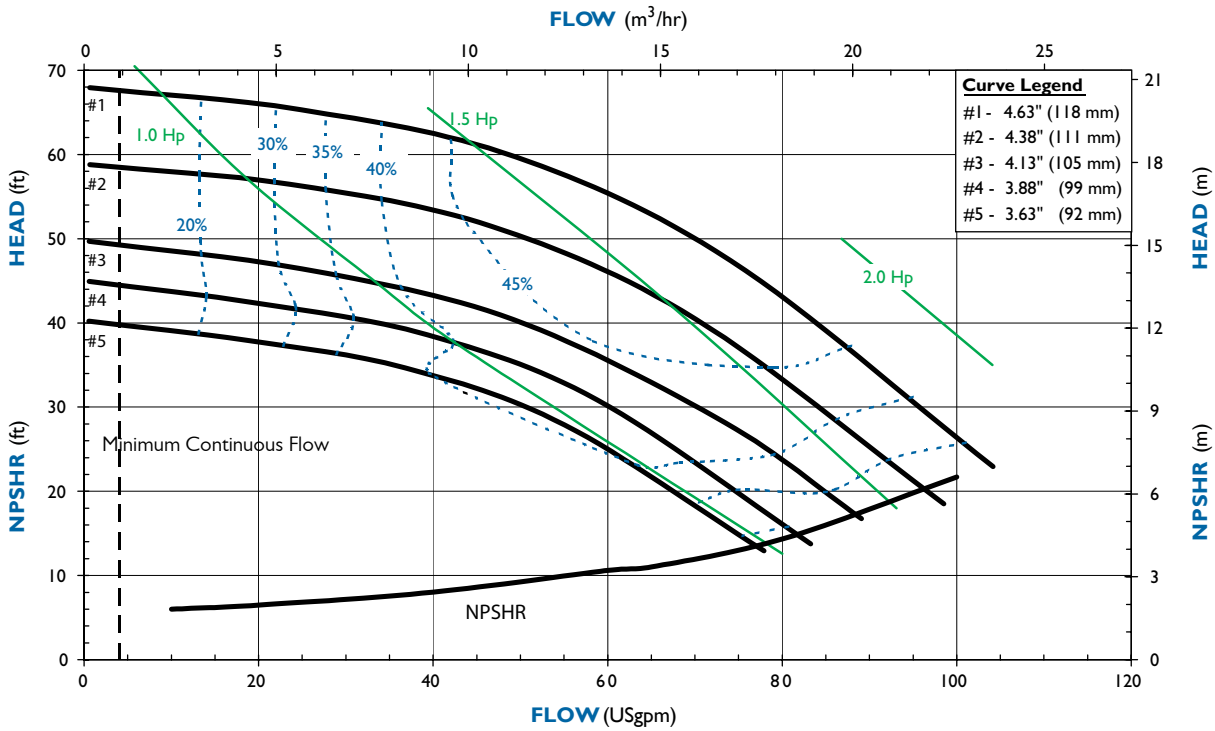


Curves based on flooded suction. Performance will vary with lift. To view curves with various suction lift conditions, contact factory or download from FTI website.

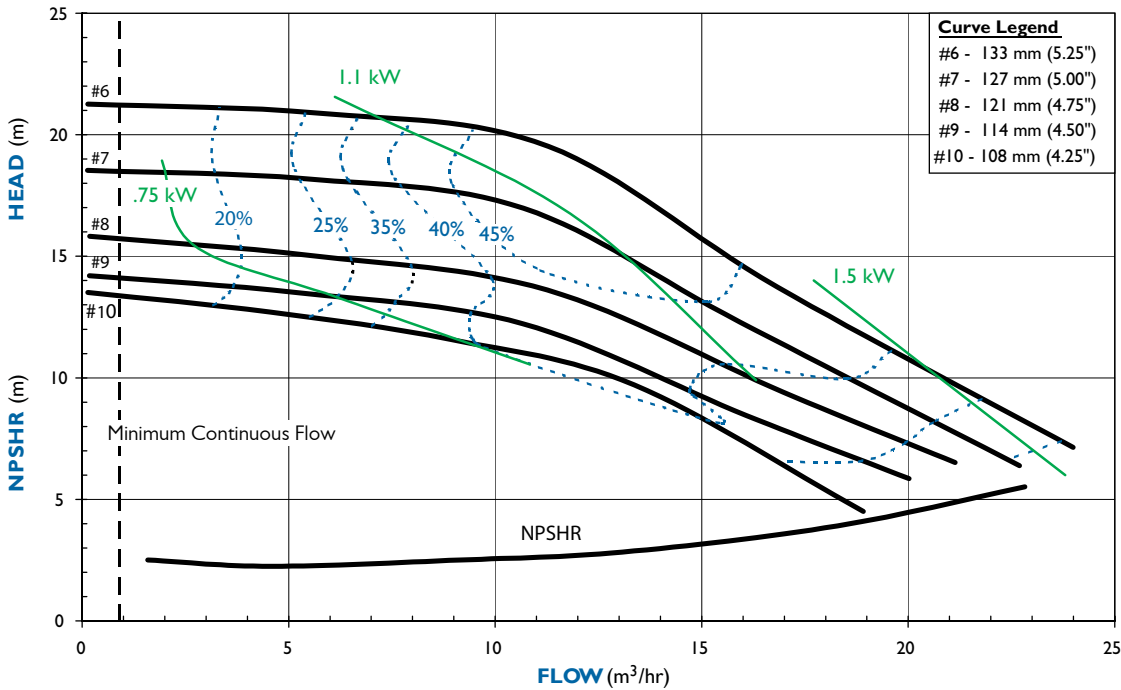
SP Series: Model SPII



SPI I PERFORMANCE - Flooded Suction - 3450 RPM



SPI I PERFORMANCE - Flooded Suction - 2900 RPM

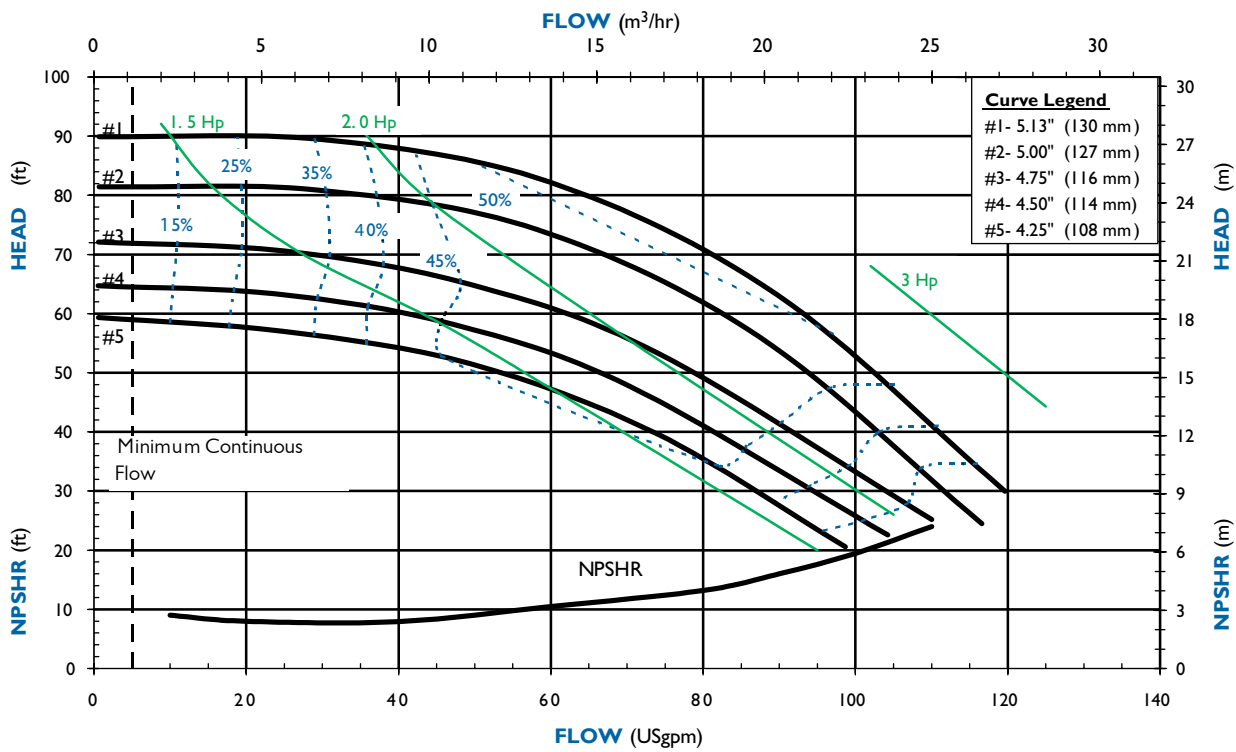


Curves based on flooded suction. Performance will vary with lift. To view curves with various suction lift conditions, contact factory or download from FTI website.

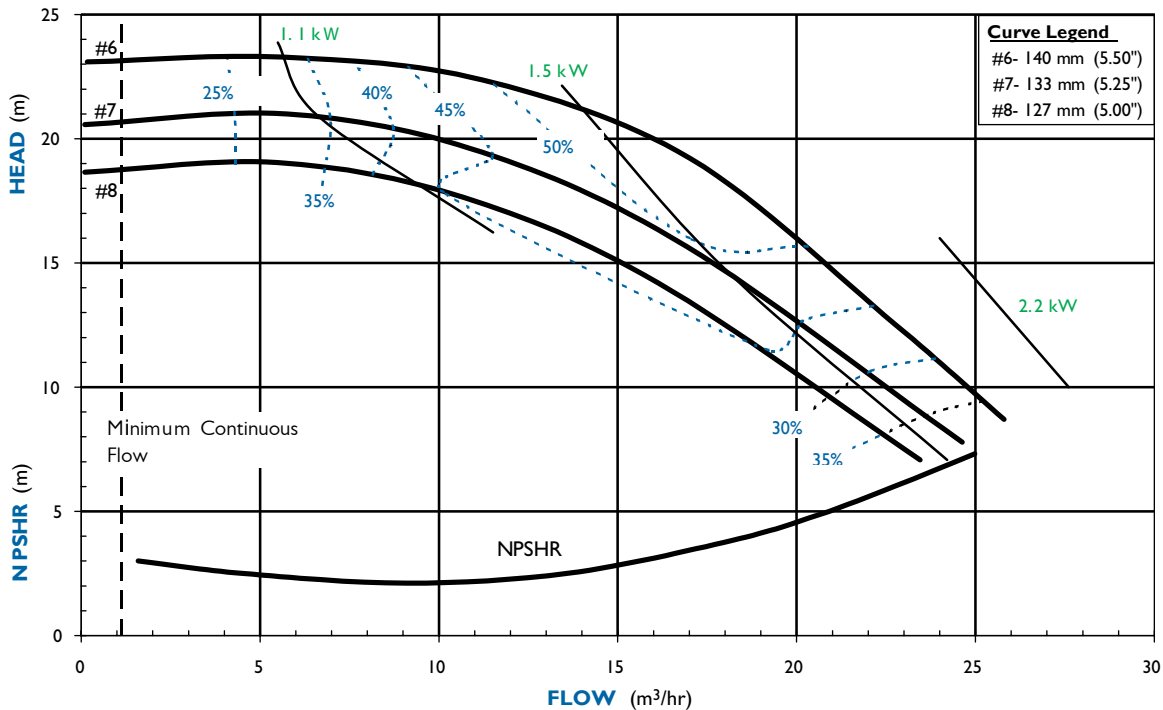
SP Series: Model SP 15



SPI5 PERFORMANCE - Flooded Suction - 3450 RPM



SPI5 PERFORMANCE - Flooded Suction - 2900 RPM

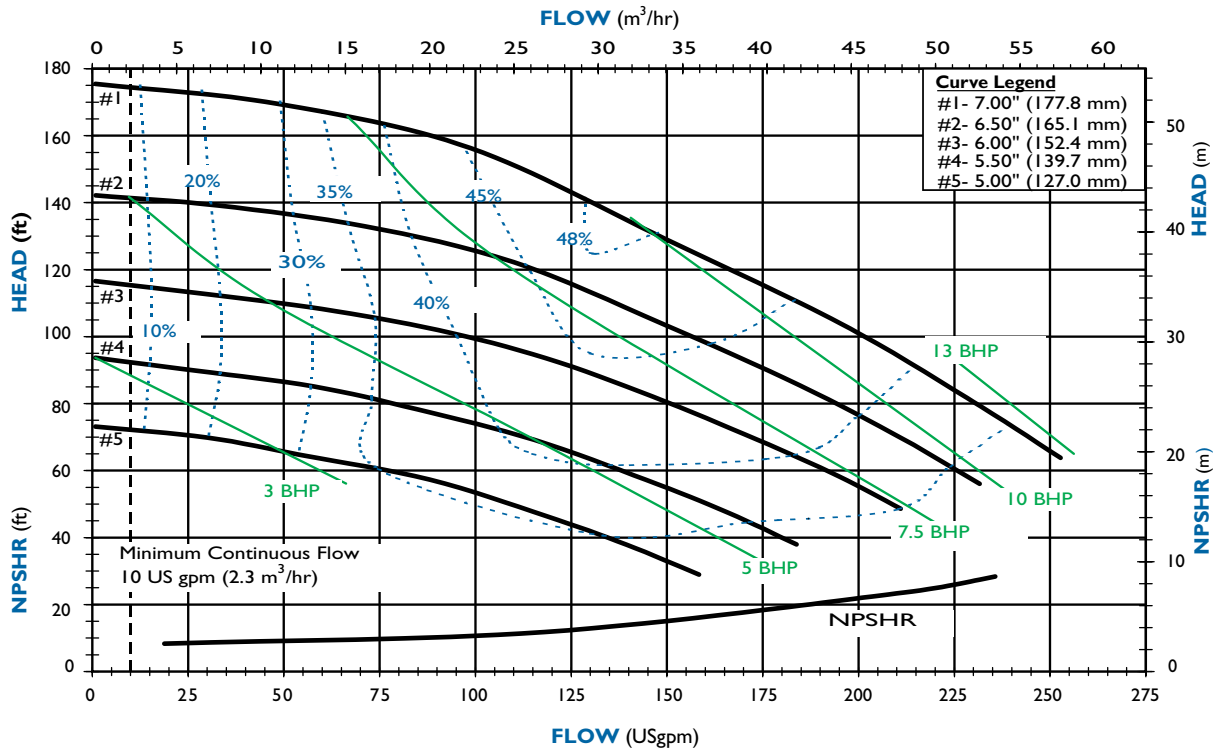


Curves based on flooded suction. Performance will vary with lift. To view curves with various suction lift conditions, contact factory or download from FTI website.

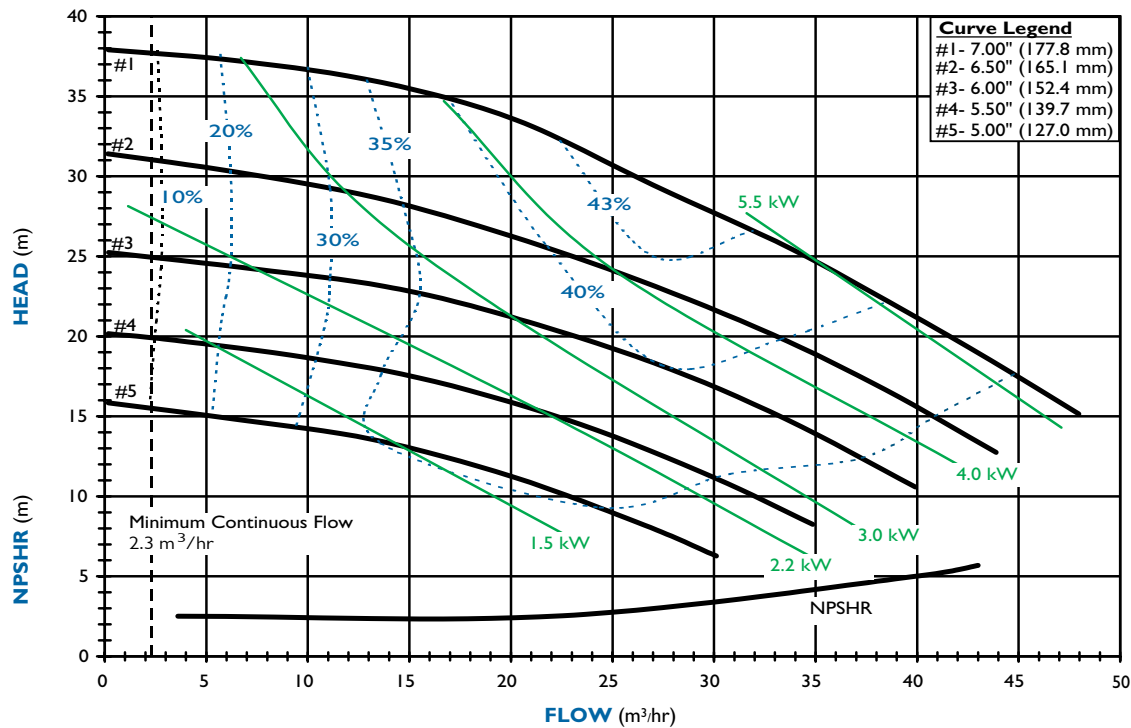
SP Series: Model SP22



SP22 PERFORMANCE - Flooded Suction - 3450 RPM



SP22 PERFORMANCE - Flooded Suction - 2900 RPM



Curves are based on flooded suction. Performance will vary with lift. To view curves with various suction lift conditions, contact factory or download from FTI website. Notes: Maximum power @ 60 Hz is 13 hp (9.7 kW). [Consult factory for applications above 10 hp (7.5 kW).] At 50 Hz, maximum power is 7.5 kW (10 hp).

