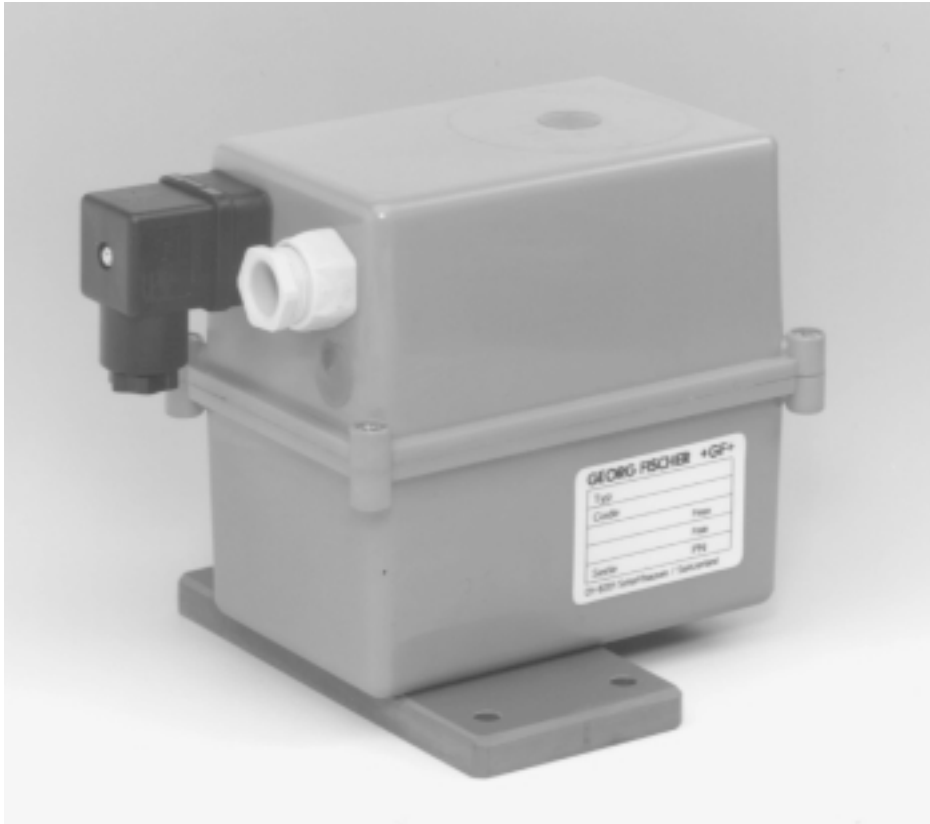


Electric Fail-safe Return Unit Type FR 10



Product Features

- Full plastic housing
- Protection rating IP 65, Nema 4x
- Simple operation
- For use with George Fischer 24 volt actuators

General

In the event of a power failure, electric actuators stop and remain fixed as they were at the moment of interruption. Safety requirements such as fail-safe opening or closing under power loss conditions are not fulfilled.

When the George Fischer FR 10 fail-safe unit is installed, the electric actuator is automatically disconnected from the external control system. At this point of a power failure the valve will automatically close or open to meet the "fail-safe open or close" safety requirement.

Short-term power failures or voltage drops (< 0.5 seconds) are bridged and do not result in fail close or fail open conditions.

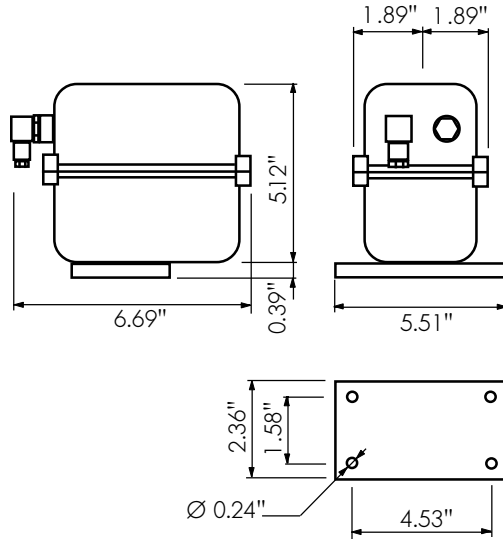
The actuator immediately responds to the external controller when power is restored.

Description

The FR 10 fail-safe return unit is connected directly to the main circuit to be monitored. The actuator is supplied from this and requires only a single-pole external changeover contact or a

controller for the OPEN/CLOSE drive signal. The FR 10 is capable of powering either one George Fischer Type EA 20/EA 30 24 V actuator or one Type EA 41/EA 50 24 V actuator.

Dimensions



Technical Data

Power supply: 230V 50/60 Hz, +/-10%
Part number **199.190.366**

115V 50/60 Hz, +/-10%
Part number **199.190.365**

Dimension: 5.91" x 3.78" x 5.12"/
150 x 96 x 130 mm

Weight: 2.65 lbs./1.2 kg

Protection: IP 65 splash-proof,
Nema 4x

Load: maximal
1 actuator Type EA 20/30
1 actuator Type EA 41/50

Permissible ambient temperature: 0–140°F / 0–40°C

100% battery capacity is attained approx. 14 hours after first (or subsequent) startup.

The battery capacity is 100% adequate for a minimum of 5 resets.

Wiring diagram

The electric actuator EA 20, EA 30 and EA 41 must be connected according to the following drawings.

