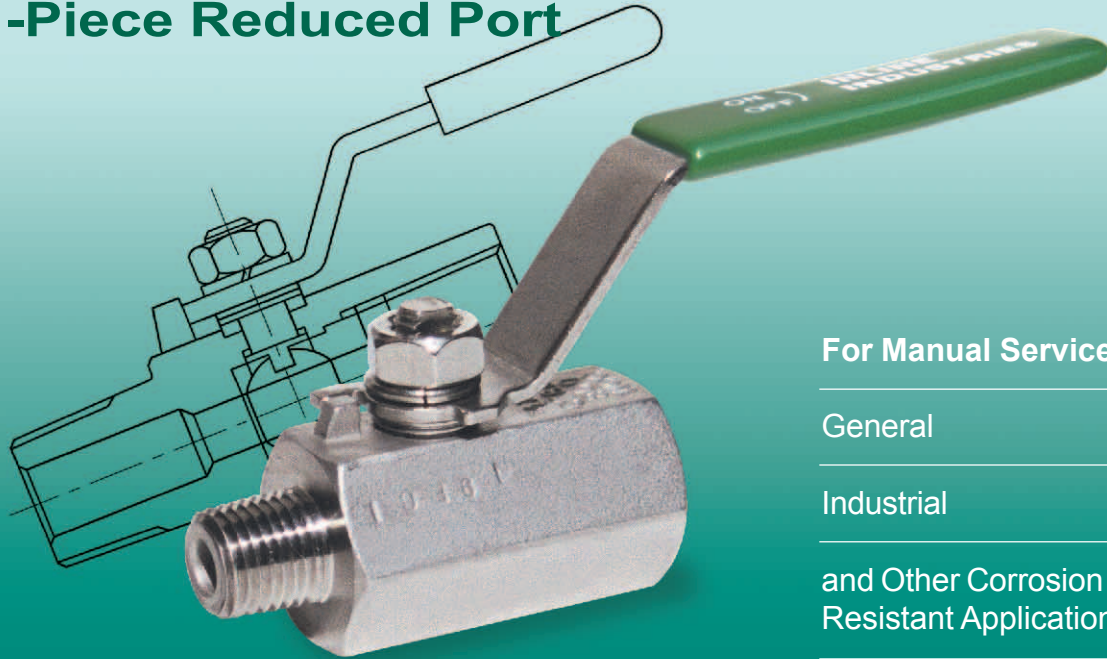


104R Ball Valve

1-Piece Reduced Port



For Manual Service

General

Industrial

and Other Corrosion
Resistant Applications

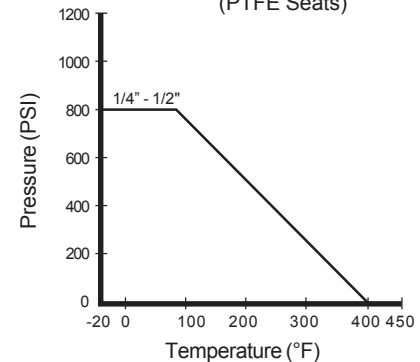
Standard Features and Benefits

- **Male x Female Connections**
The 104R has been designed with opposing male x female NPT connections in a number of size combinations to eliminate the need for pipe nipples
Decreases the number of potential leak paths and reduces overall length
- **Economical 1-Piece Design**
- **Corrosion Resistant**
Stem and ball are made of corrosion resistant stainless steel for trouble-free service and long life
- **Blow-Out-Proof Stem**
Stem is bottom loaded to prevent removal during operation

Options

- Compact T handle for restricted space requirements

104R Pressure / Temperature Chart
(PTFE Seats)



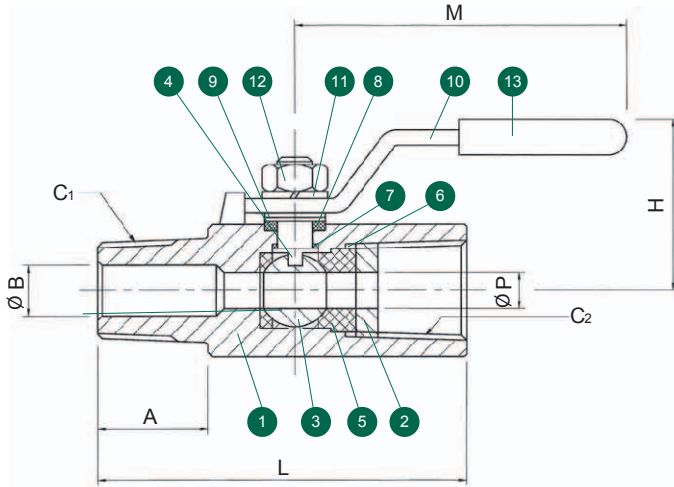
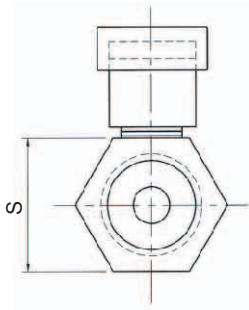
Operating Conditions

- Temperature range (PTFE):
-20°F ~ 400°F
- Maximum pressure (PTFE):
800 PSI CWP (1/4" ~ 1/2")

Specifications

- All valves shell and seat tested to
ANSI/ASME B16.34 and API 598





Valve Components			
#	Part Name	Material	Qty.
1	Body	A351 Gr. CF8M	1
2	Insert	316SS	1
3	Ball	316SS	1
4	Stem	316SS	1
5	Seat	PTFE	2
6	Body Seal	PTFE	1
7	Thrust Washer	PTFE (15% C.F.)	1
8	Stem Packing Set	PTFE	1
9	Packing Gland	304SS	1
10	Handle	304SS	1
11	Split Washer	304SS	1
12	Handle Nut	304SS	1
13	Handle Cover	Vinyl	1

Dimensions (Inches)								
Size C ₁ x C ₂	L	P	A	B	M	H	S	Weight (lbs)
1/4 x 1/4	1.83	0.20	0.59	0.26	1.50	1.25	0.68	0.19
1/4 x 3/8	2.00	0.28	0.51	0.28	2.90	1.45	0.83	0.25
1/4 x 1/2	2.35	0.36	0.59	0.26	1.50	1.65	0.98	0.38
3/8 x 3/8	2.20	0.28	0.60	0.35	2.90	1.45	0.83	0.28
3/8 x 1/2	2.40	0.36	0.60	0.35	3.70	1.65	0.98	0.38
1/2 x 1/2	2.40	0.36	0.70	0.43	3.70	1.65	0.98	0.44

104R Ordering Information

Example: 1/2" MNPT X 1/2" FNPT Ball Valve with Lever Handle, Cast 316SS Body and Trim, PTFE Seats and Seals, NPT Ends

104R	22	6	T	T	
Valve Series	Valve Size (C ₁ x C ₂)		Body and Trim Material	Seat	Seal
104R - Reduced Port	22	1/4" x 1/4"	6 - A351 Gr. CF8M Body (316) A351 Gr. CF8M Trim (316)	T - PTFE	T - PTFE
	23	1/4" x 3/8"			
	24	1/4" x 1/2"			
	33	3/8" x 3/8"			
	34	3/8" x 1/2"			
	44	1/2" x 1/2"			

Due to continuous product development, information may change without notice.



INLINE INDUSTRIES, INC.

4701-A Littlejohn Street
 Baldwin Park, CA 91706
 Tel: (626) 813-6188
 Fax: (626) 813-6186
 www.ballvalve.com
 info@ballvalve.com

Distributed by: