



L882

Krystil Klear Division

Twin Capacity Liquid BAG HOUSINGS

L882 Liquid Bag Housings effectively remove dirt, pipe scale, and other contaminants from process liquids, and their quality construction and design assure clean effluent and protection for all downstream equipment.

APPLICATIONS

- Chemical
- General Industrial
- Oil and Gas
- Water

HOUSING OPERATION

L882 Twin Capacity Liquid Bag Housings offer the flow rates of multi-round housings at an economical cost. These vessels are ideal for applications requiring high dirt-holding capacity, low pressure drop, or additional flow.

HOUSING OPTIONS

- 300 PSI pressure rating
- Mesh-lined strainer baskets
- Alternative o-ring materials
- Adjustable support legs

FEATURES

- Flow rates up to 440 gpm
- Two identical, L88 housings working in tandem
- Increased flow rates
- Can be used with strainer baskets alone or with bag filters
- Lower differential pressure
- Carbon or Stainless Steel construction
- Each vessel is factory hydro-tested
- Quick-swing closure with eye nuts
- Viton® seals—lid and basket
- Differential, drain, and vent ports
- 316 Stainless Steel strainer baskets
- Accepts #2-size bag filters

SPECIFICATIONS

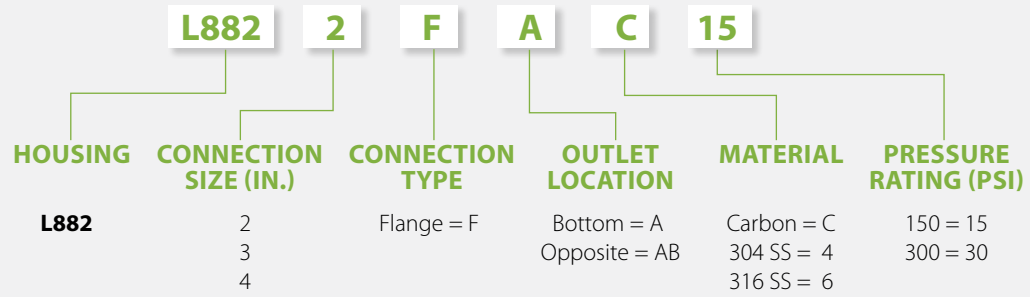
Pressure Rating	150 PSI at 300° F (up to 300 PSI optional)
Connections	2-, 3-, or 4-inch (FLG)
Housing Lid	3-bolt swing closure with vent & gauge port (blind flange for 300 PSIG)
Lid & Basket Seals	Viton® o-ring
Pressure Ports	Two 0.25-inch NPT
Construction/Finish	Carbon steel w/two-part epoxy finish; 304 or 316 Stainless Steel w/satin finish
Basket Material	316 Stainless Steel with 9/64-inch perforations
Bags Sizes	#2 liquid bag accepted
Base	Adjustable tripod leg assemblies



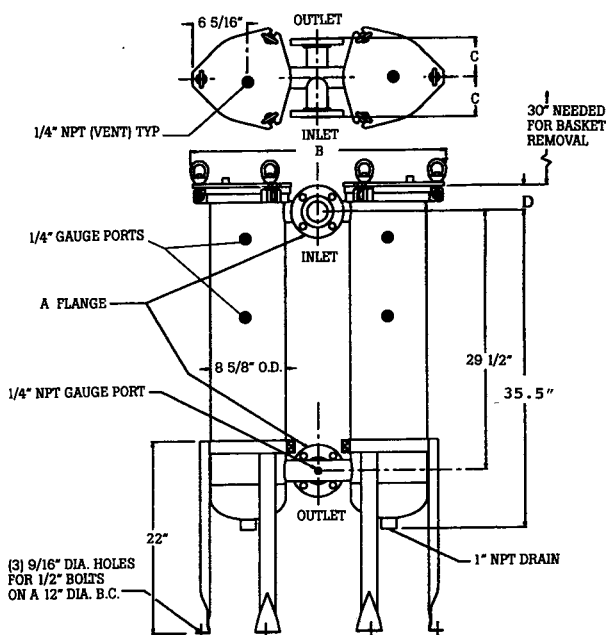
**Pentair
Industrial**

ORDERING INFORMATION

Custom configurations available; please contact Customer Service.



DIMENSIONS



All dimensions are approximate.

FLANGE DIMENSION (IN.)

	2	3	4
A	2	3	4
B	30	32	34
C	4.5	5.5	6.5
D	2.875	3.75	3.75



Distributed by: KTH Sales, Inc. Merrillville, IN
 Phone 219-769-0263 FAX 219-769-0263
 sales@KTHSales.com www.KTHSales.com