

Multi-Round Krystil Klear Divison

Liquid BAG HOUSINGS -

Multi-Round Liquid Bag Housings effectively remove dirt, pipe scale, and other contaminants from process liquids. Quality construction and design assure clean effluent and protection for all downstream equipment.

APPLICATIONS

- Chemical
- General Industrial
- Oil and Gas
- Water



HOUSING OPERATION

Unfiltered liquid enters the housing above the filter bags or strainer baskets, fills the interior of the housing and continues through the bag or strainer basket. Solids are trapped inside the filter bags or strainers and easily removed when the housing is serviced. Our standard o-ring seal between the baskets and the housing ensures a positive seal to prevent bypass.

HOUSING OPTIONS

- 300 PSI pressure rating
- Mesh-lined strainer baskets
- Alternative o-ring materials
- Heavy-duty support legs

FEATURES

- Flow rates up to 4300 gpm
- Two basket to 21 basket housing designs, depending upon the required surface area and volume of fluid to be filtered
- Carbon steel and 304, or 316 Stainless Steel material
- Each vessel is factory hydro-tested
- Low pressure drop
- Swing bolts with bearing-assisted davit closure
- Buna-N® seals — lid and basket
- Differential, drain, and vent ports
- 316 Stainless Steel strainer baskets
- Two-part epoxy finish on carbon vessels
- Accepts #2-size bag filters
- Hydraulic lid lift

SPECIFICATIONS

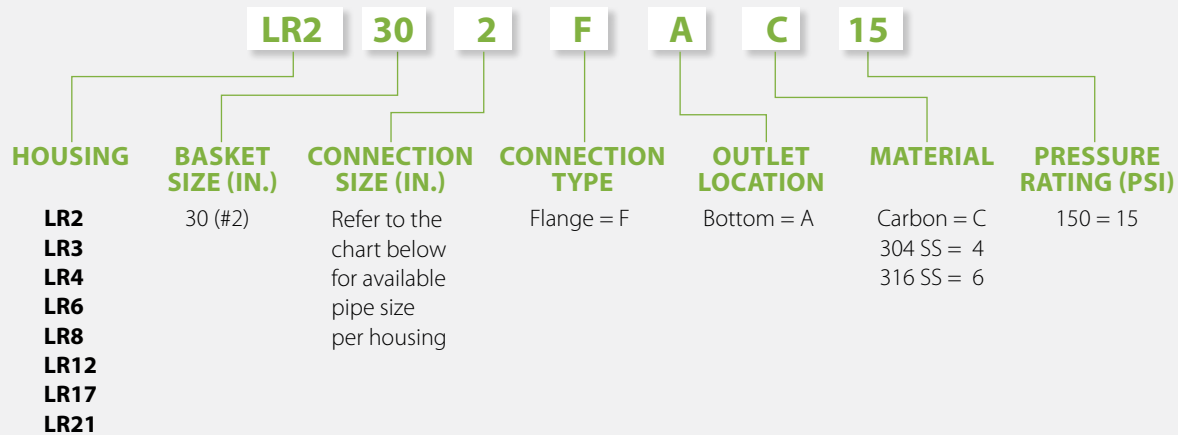
Model	Maximum Dimensions
Pressure Rating	150 PSI at 300° F (up to 300 PSI optional)
Connections	2-, 3-, 4-, 6-, 8-, 10- or 12-inch RF FLG
Housing Lid	Swing bolts with davit cover lift
Lid & Basket Seals	Buna-N®
Pressure Ports	Two differential ports measure pressure across filter bag
Construction/Finish	Carbon steel w/two-part epoxy finish; 304 or 316 Stainless Steel w/satin finish
Basket Material	316 Stainless Steel with 9/64-inch perforations
Bags Sizes	#2 liquid bags accepted
Base	Heavy duty support legs

Multi-Round Bag Housings

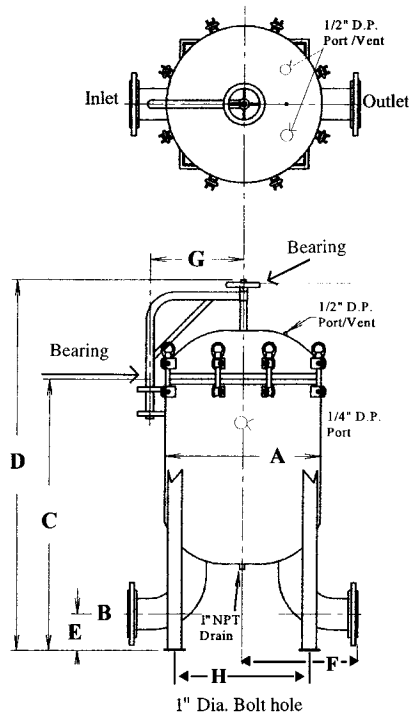
Krystil Klear Divison

ORDERING INFORMATION

Custom configurations available; please contact Customer Service.



DIMENSIONS*



*For reference purposes only.

BASKET DATA

Housing	Number of Baskets	Straining Filtering Area (sq. ft.)	Standard Pipe Size Available (in.)	Nominal Flow Rate (gpm)
LR2	2	8.8	2, 3, 4	400
LR3	3	13.2	2, 3, 4	600
LR4	4	17.6	3, 4, 6	800
LR6	6	26.4	3, 4, 6	1200
LR8	8	35.2	4, 6, 8	1600
LR12	12	44.0	6, 8, 10	2100
LR17	17	74.8	8, 10, 12	3500
LR21	21	92.4	8, 10, 12	4300

DIMENSIONS* (IN.)

Housing	Pipe Size	A	B	C	D	E	F	G	H	Leg Bolt Center	Weight Approx. (lbs.)
LR2	2	16"	2	Call factory							
	3		3	Call factory							
	4		4	Call factory							
LR3	2	18"	2	40.6	56.1	5.0	10.3	11.9	12.0	410	
	3		3	43.0	59.0	5.8	11.0	11.9	12.0	435	
	4		4	49.0	65.5	6.5	12.75	11.9	12.0	460	
LR4	2	22"	2	48.3	67.0	5.0	11.5	15.0	16.5	535	
	3		3	49.8	68.5	6.0	12.9	15.0	16.5	555	
	4		4	52.5	70.0	6.5	14.5	15.0	16.5	590	
LR6	3	26"	3	49.8	68.5	6.0	12.9	15.0	16.5	535	
	4		4	52.5	70.0	6.5	14.5	15.0	16.5	555	
	6		6	50.1	67.6	7.0	16.8	15.0	16.5	590	
LR8	3	30"	3	51.5	68.9	6.0	15.1	18.0	20.8	665	
	4		4	53.0	70.4	7.0	16.4	18.0	20.8	705	
	6		6	50.5	71.0	8.0	19.1	18.0	20.8	850	
LR12	4	36"	4	51.8	76.8	6.5	20.5	21.0	24.7	870	
	6		6	52.0	76.5	8.3	22.5	21.0	24.7	1010	
	8		8	54.5	79.0	10.8	23.8	21.0	24.7	1150	
LR17	6	42"	6	59.2	80.7	8.3	25.1	24.0	29.0	1960	
	8		8	63.5	85.0	9.5	26.1	24.0	29.0	2070	
	10		10	68.0	89.5	11.0	27.2	24.0	29.0	2200	
LR21	8	48"	8	59.9	85.2	8.3	28.8	27.0	33.2	2200	
	10		10	64.4	89.7	9.5	29.8	27.0	33.2	2350	
	12		12	69.2	94.5	11.0	32.3	27.0	33.2	2530	

All dimensions are approximate.



Distributed by: KTH Sales, Inc
219-736-0060 FAX 219-769-0263
sales@KTHSales.com www.KTHSales.com