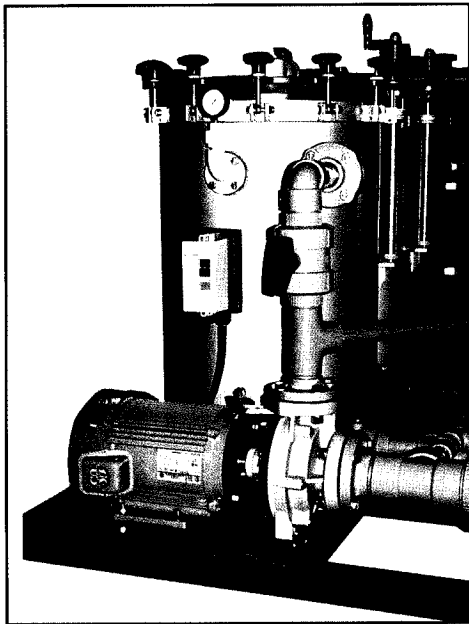
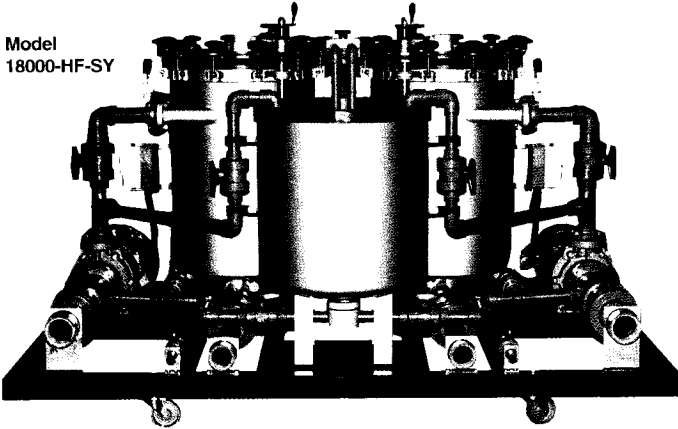


# SERIES HF HORIZONTAL DISC FILTRATION SYSTEMS



## Mefiag Division

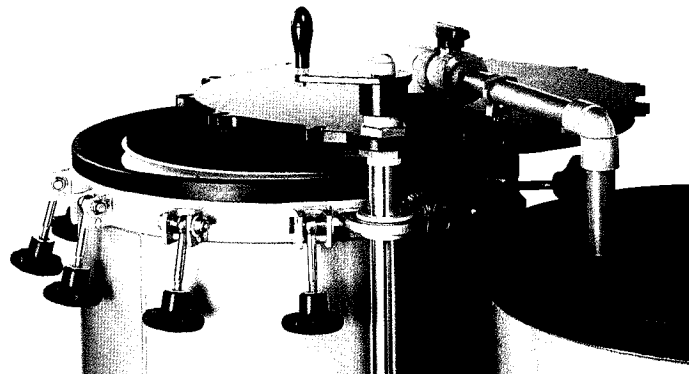
Model  
18000-HF-SY



MEFIAG® is the world's leader in the design and manufacture of filter systems utilizing horizontal disc technology for superior performance. The new 9000-HF and 18000-HF systems utilize an all fiberglass pump for superior corrosion resistance and higher flow.

- ✓ Flow rates to 18,000 GPH
- ✓ Horizontal disc technology
- ✓ Maximum surface area
- ✓ Large sludge holding capacity
- ✓ Superior corrosion resistance
- ✓ FRP pump with choice of mechanical seals
- ✓ Temperature to 190°F (90°C)
- ✓ Low disposal cost
- ✓ Choice of cellulose, carbon/cellulose or reusable polypropylene filter media
- ✓ Powder coated steel frame with casters for easy handling
- ✓ Water tight, corrosion resistant starter
- ✓ Mechanical lifting device for easy access to filter pack

*Exclusive MEFIAG® stainless steel lifting device provides for simple mechanical movement of the cover for maintenance purposes. Just turn crank to raise lid. Then swing lid away to access filter media. ▶*



# Specifications

## Filter

Filter chambers are constructed of mild steel with hard rubber lining (3 mm) on the interior and corrosion resistant paint (2 coats) on the exterior.

A flanged tangential inlet is standard, along with a bottom outlet and drain.

Stainless steel eyebolts with handwheels hold the powder coated steel cover in place. The lifting device provides for mechanical movement of the cover for maintenance purposes. An air release valve positioned on the cover, is also used as the return line during pre-coating.

A pressure gauge (0-60 PSI) is supplied with a corrosion resistant guard.

Filter media suited for the application is placed between the rigid polypropylene filter discs. Filter media of various materials and micron ratings are available. Ten (10) micron cellulose is standard.

All systems are mounted on a powder coated structural steel frame with casters for easy handling.

## Pump

### Model 9000-HF and 18000-HF

Fybroc fiberglass centrifugal pumps are standard. Mechanical seal options are single CRS- 35/B with silicon carbide faces or double water flush.

### Model 4500-HF

Mefiag polypropylene centrifugal pumps are standard with a stainless steel pump shaft. Mechanical seal is CRS- 25/B with silicon carbide faces.

## Slurry Tank

Slurry tanks are mild steel construction with an interior of hard rubber (3 mm) and an exterior of corrosion resistant paint (2 coats). They are used to facilitate pre-coating and addition of activated carbon (if required), as well as solution make-up and priming of the pump. The slurry tank can also be used to store solution from the filter chamber during changing of media or maintenance.

Pre-coating provides superior filtration and extends the life of the filter media.

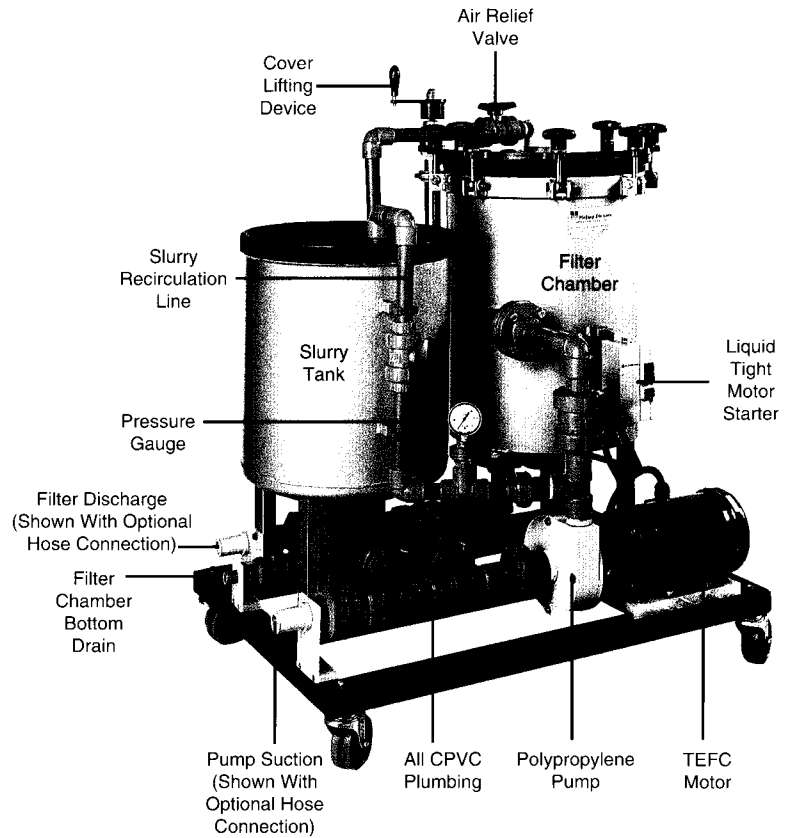
## Piping, Valves and Connections

Piping, valves, and connections are all CPVC construction.

Suction of the pump is piped to permit flow from the solution tank, slurry tank, and the filter chamber.

## X-Construction

X-construction is used for more aggressive solutions such as acid copper, acid zinc, and acid tin. The filter chamber and slurry tank are outside rubber lined, the base and cover are powder coated and the pump shaft is titanium.



Parameter	Model 4500-HF	Model 9000-HF	Model 18000-HF
Precoated Flow Rate (GPH) (Filtering Capacity)	4,500	9,000	18,000
Open Pumping Capacity (GPH)	7,200	13,000	26,000
Filtration Surface Area (Ft <sup>2</sup> )	44	89	178
Number of Filter Media	44 (14" Diameter)	50 (19" Diameter)	100 (19" Diameter)
Sludge-Holding Capacity (Ft <sup>3</sup> )	0.85	2.11	4.22
Dimensions: with Slurry w/o Slurry (LxWxH)	41"x30"x50" 30"x24"x50"	59"x44"x55" 44"x36"x55"	90"x55"x55" N/A
Net Weight: with Slurry w/o Slurry (Lbs)	520 410	900 775	1,650 N/A
System Connections: Suction Discharge	2" NPT (Female) 2" NPT (Female)	3" NPT (Female) 2.5" NPT (Female)	3" NPT (Female) 2.5" NPT (Female)
Motor* (TEFC)	3 HP	5 HP	5 HP (Two Motors)

\*Motor availability (Specify completely with order):

3 HP or 5 HP - 208, 230, 460, and 575 VAC (all 60 HZ, three-phase only)

Fully-wired, liquid-tight motor starter is included for proper thermal and overcurrent protection

Represented by:



# Mefiag Division

160 Cassell Road, Harleysville, PA 19438 USA  
(215) 721-6030, FAX (215) 723-6758