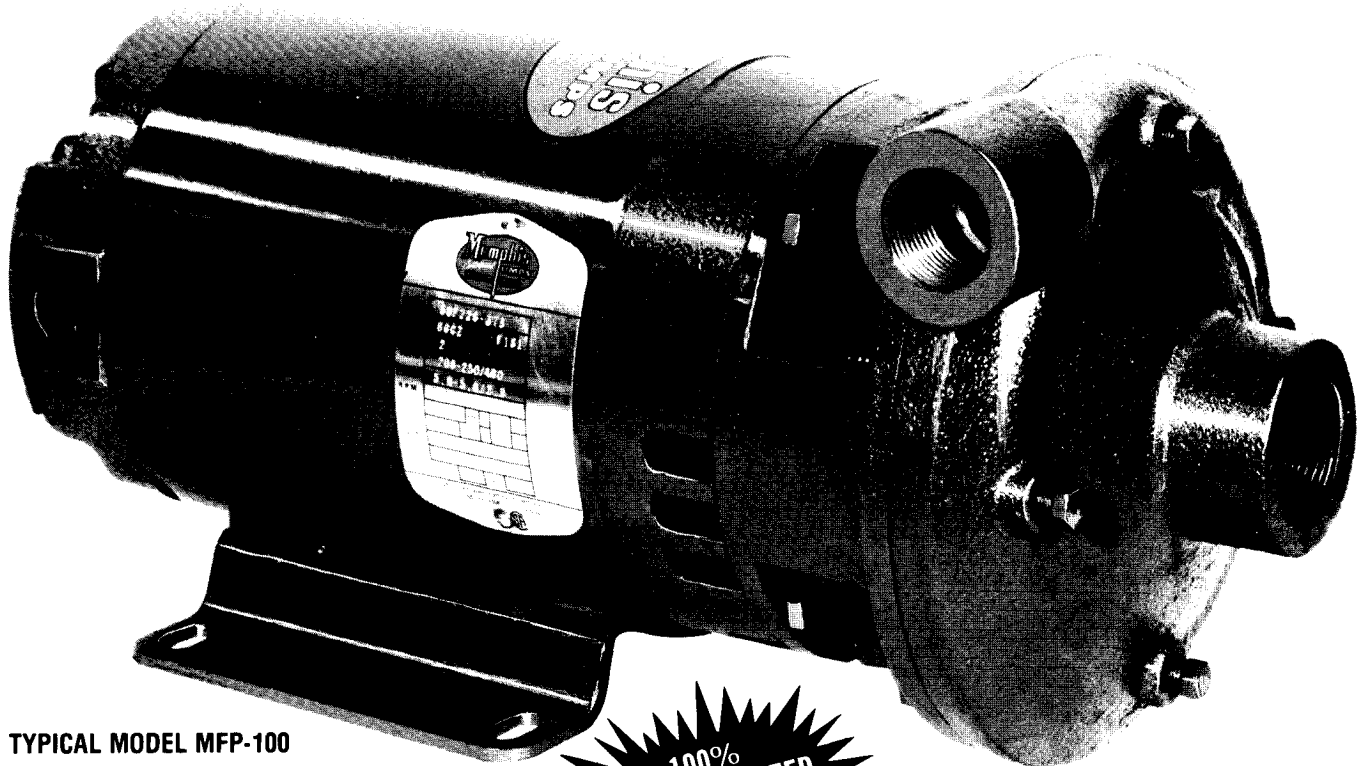


# PRESSURE BOOSTER

## 3450 RPM CENTRIFUGAL PUMPS



TYPICAL MODEL MFP-100



- **Mechanical Seals**
- **Stainless Steel Shafts**
- **NEMA Type Motors**
- **Frame 56J**
- **1 Through 3 HP, 3450 RPM**

**GROUP: MFP**

**CAPACITY: TO 60 GPM**

**HEAD: TO 146 FEET**

These pumps give high heads at low volume and are recommended for boosting water pressure for washdown lines and similar applications. Adds up to 60 PSI to existing pressure.

Memphis' pumps are designed and built to standards developed over many years of pump manufacture and will give years of reliable, efficient service. Motors are American made NEMA type. Volutes are cast from close grain grey iron with large intake and discharge openings to prevent back pressure

and maintain hydraulic efficiency. The volute can be mounted in any of four positions so the discharge port is in line with the piping, and is equipped with four pipe plugs so one will be "UP" and one will be "DOWN" regardless of how the volute is installed. The impeller is screwed onto the shaft and locked with stainless nut and lock washer. The mechanical shaft seal is self-adjusting for longer wear, and can be easily replaced by maintenance personnel when necessary.

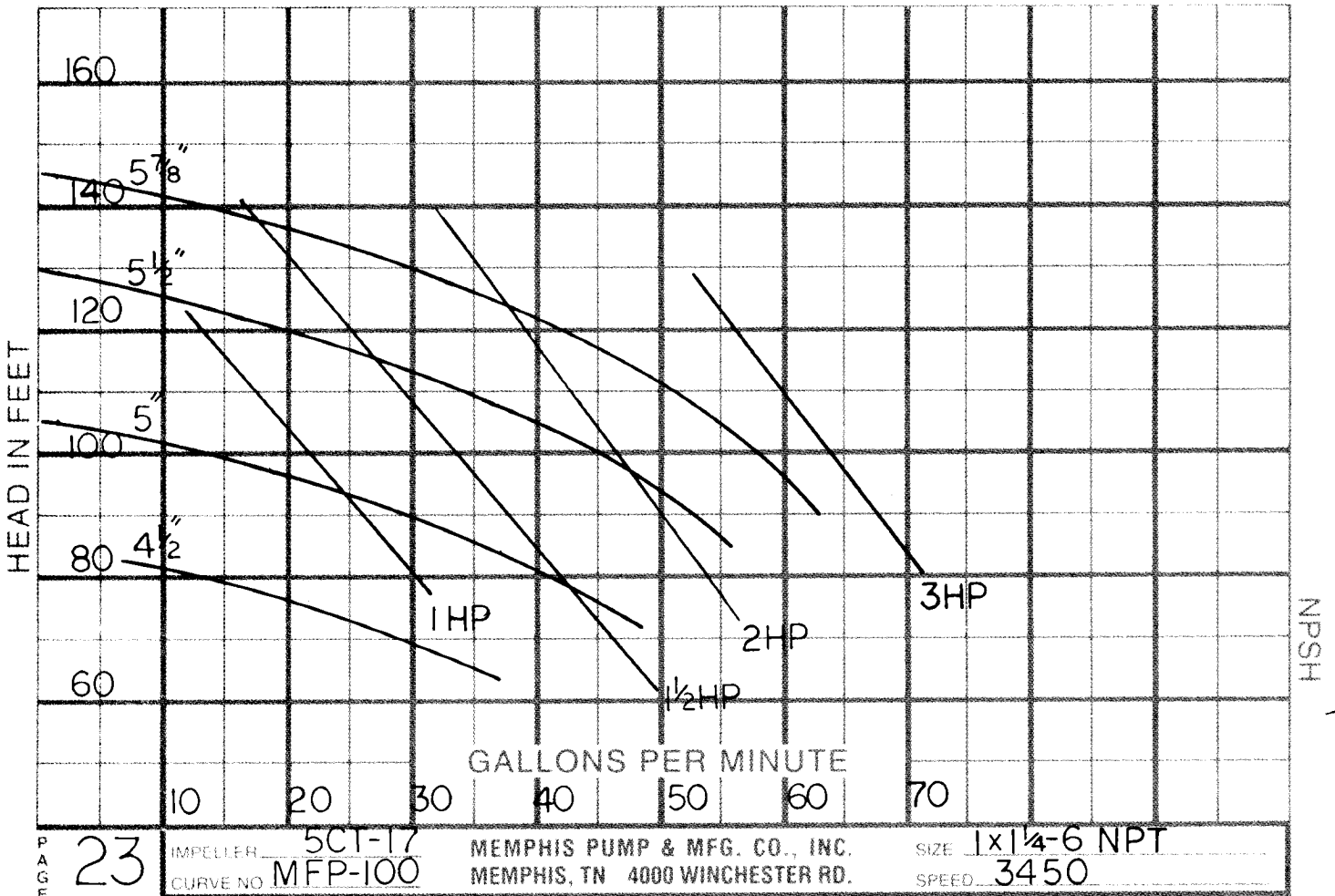
BULLETIN NO. PB-2300

**MEMPHIS PUMP & MANUFACTURING COMPANY, INC.**

CENTRIFUGAL PUMPS FOR COMMERCIAL, INDUSTRIAL & AGRICULTURAL APPLICATIONS SINCE 1949  
PHONE 901 365-6330 • FAX 901 365-1456 • 4000 WINCHESTER RD. • MEMPHIS, TN 38118

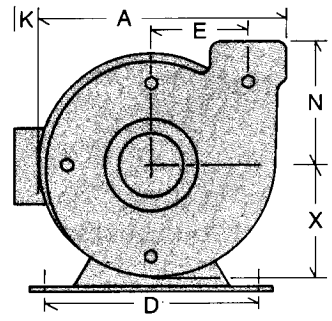


# Performance Curve and Dimensional Data for Models MFP Pressure Booster Centrifugal Pumps

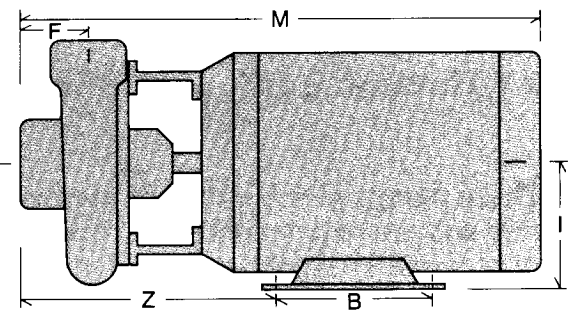


PAGE 23

Performance curves can be used with the assurance that pumps will perform as indicated and can be operated continuously or intermittently at any point on the curve.



## PUMP DIMENSIONS



## MFP-100 DIMENSIONS

MODEL NO.	Page No.	H.P.	FRAME	SUCTION	DISC.	A	B	D	E	F	I	K	M	N	X	Z
MFP-100-100	23	1	56J	1 1/4" NPT	1" NPT	8 1/8	3	4 7/8	3 1/4	1 7/8	3 1/2	NA	15	4 1/2	3 3/4	7 1/2
MFP-100-150	23	1 1/2	56J	1 1/4" NPT	1" NPT	8 1/8	3	4 7/8	3 1/4	1 7/8	3 1/2	NA	14 3/4	4 1/2	3 3/4	7 1/2
MFP-100-200	23	2	56J	1 1/4" NPT	1" NPT	8 1/8	3	4 7/8	3 1/4	1 7/8	3 1/2	NA	14 3/4	4 1/2	3 3/4	7 1/2
MFP-100-300	23	3	56J	1 1/4" NPT	1" NPT	8 1/8	3	4 7/8	3 1/4	1 7/8	3 1/2	NA	15 3/4	4 1/2	3 3/4	7 1/2

**MEMPHIS PUMP & MANUFACTURING COMPANY, INC.**  
CENTRIFUGAL PUMPS FOR COMMERCIAL, INDUSTRIAL & AGRICULTURAL APPLICATIONS SINCE 1949  
PHONE 901 365-6330 • FAX 901 365-1456 • 4000 WINCHESTER RD. • MEMPHIS, TN 38118