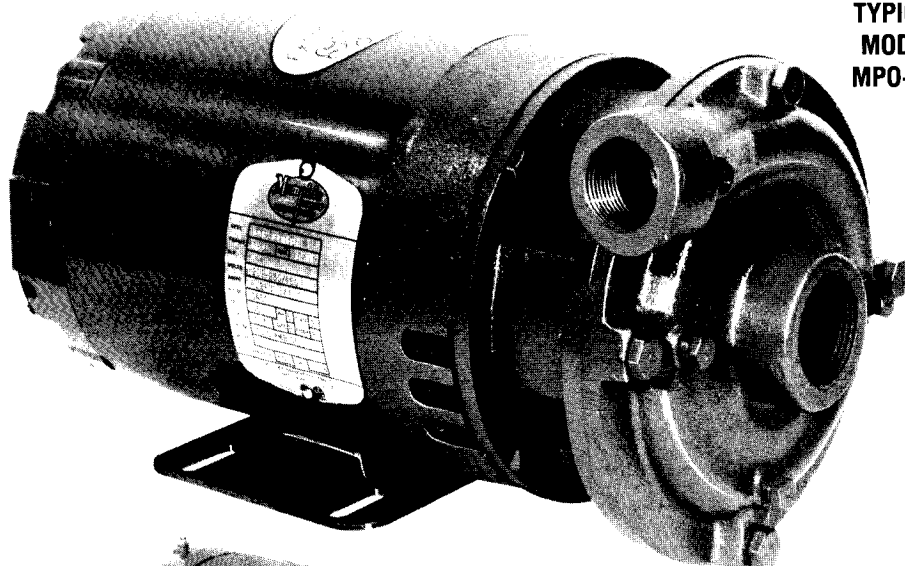
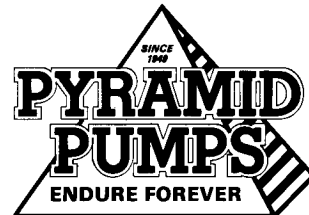


OPEN IMPELLER

3450 RPM CENTRIFUGAL PUMPS

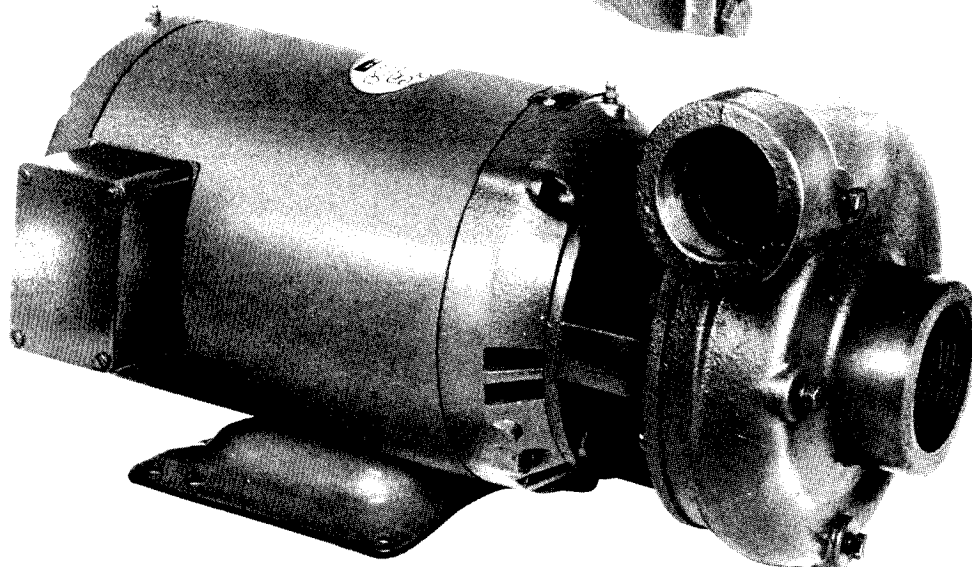


TYPICAL
MODEL
MPO-100

**GROUP:
MPO**

**CAPACITIES:
10 to 180 GPM**

**HEADS:
TO 93 FEET**



TYPICAL
MODEL
MPO-150



- **1/3 HP through 3 HP**
- **Frames 56J through 184JM**
- **NEMA type motors**
- **Stainless steel shaft**
- **Mechanical seals**

Memphis' Open Impeller Centrifugal Pumps are excellent for general duty uses, within the parameters of head and volume for the different models, but they are especially suitable for pumping granular solutions. The open impellers will pass spheres up to $\frac{5}{16}$ "', which enables these pumps to pump slurries, wettable powders and liquids containing clots or semi-solid masses. Motors are American made NEMA type, 56J or JM frame, with stainless shafts or sleeved shafts, depending on size. Volute are cast iron and can be rotated in 90° increments to align the discharge port with the discharge pipe. The volute is provided with four pipe plugs. On $\frac{1}{3}$ through 1 HP motors the impeller is screwed onto the shaft and locked with stainless lock washer and nut. On larger motors, this impeller is keyed to the shaft, and locked in place with a stainless steel cap screw and lock washer. The self-adjusting mechanical seal can easily be replaced in the field.

Memphis' pumps can be furnished in cast iron, bronze, or bronze fitted. Special seals are also available when required for handling corrosive liquids.

BULLETIN NO. OI-2526

MEMPHIS PUMP & MANUFACTURING COMPANY, INC.

CENTRIFUGAL PUMPS FOR COMMERCIAL, INDUSTRIAL & AGRICULTURAL APPLICATIONS SINCE 1950.

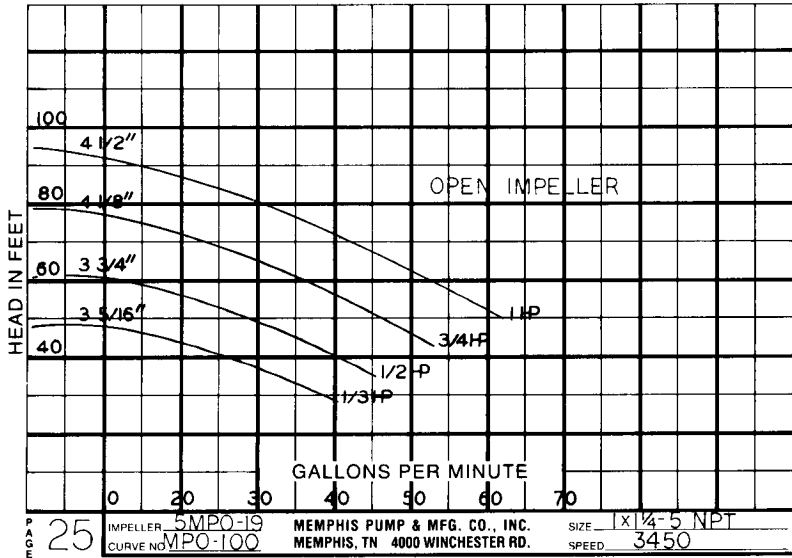
4000 WINCHESTER ROAD

MEMPHIS, TENN. 38118

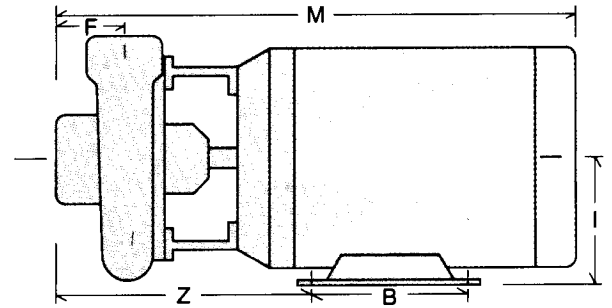
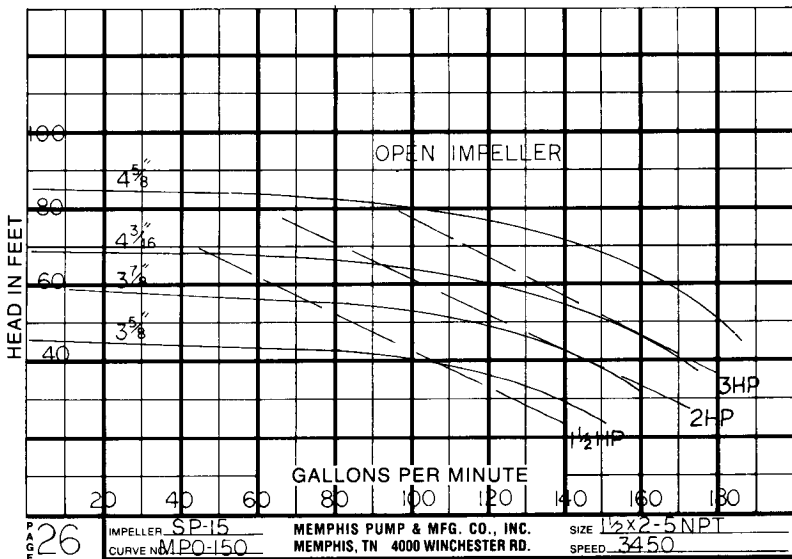
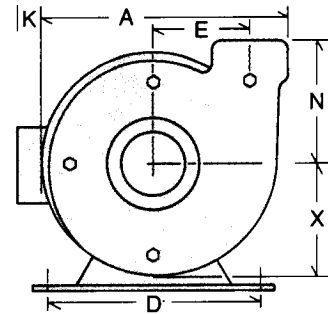
TELEPHONE (901) 365-6330



Performance Curves and Dimensional Data For Model MPO Open Impeller Centrifugal Pumps



PUMP DIMENSIONS



Performance curves can be used with the assurance that pumps will perform as indicated and can be operated continuously or intermittently at any point on the curve.

MPO-100 & MPO-150 DIMENSIONS

MODEL NO.	Page No.	H.P.	FRAME	SUCTION	DISC.	A	B	D	E	F	I	K	M	N	X	Z
MPO-100-33	25	1/3	56J	1 1/4" NPT	1" NPT	7 1/4	3	4 7/8	2 1/2	2 1/4	3 1/2	NA	13 1/2	4 1/4	3 5/8	6 7/8
MPO-100-50	25	1/2	56J	1 1/4" NPT	1" NPT	7 1/4	3	4 7/8	2 1/2	2 1/4	3 1/2	NA	13 1/2	4 1/4	3 5/8	6 7/8
MPO-100-75	25	3/4	56J	1 1/4" NPT	1" NPT	7 1/4	3	4 7/8	2 1/2	2 1/4	3 1/2	NA	14 7/8	4 1/4	3 5/8	6 7/8
MPO-100-100	25	1	56J	1 1/4" NPT	1" NPT	7 1/4	3	4 7/8	2 1/2	2 1/4	3 1/2	NA	14 7/8	4 1/4	3 5/8	6 7/8
MPO-150-150	26	1 1/2	143JM	2" NPT	1 1/2" NPT	8 1/2	4	5 1/2	3 3/8	2 3/8	3 1/2	2	16	4 3/8	4	10
MPO-150-200	26	2	145JM	2" NPT	1 1/2" NPT	8 1/2	5	5 1/2	3 3/8	2 3/8	3 1/2	2	16	4 3/8	4	10
MPO-150-300	26	3	145JM	2" NPT	1 1/2" NPT	8 1/2	5	5 1/2	3 3/8	2 3/8	3 1/2	2	18	4 3/8	4	10

MEMPHIS PUMP & MANUFACTURING COMPANY, INC.

CENTRIFUGAL PUMPS FOR COMMERCIAL, INDUSTRIAL & AGRICULTURAL APPLICATIONS SINCE 1950.
4000 WINCHESTER ROAD MEMPHIS, TENN. 38118 TELEPHONE (901) 365-6330