

Chemical Resistant Three-Way Solenoid Valves

1/8" – 1/2" Sizes With Pressure To 50 PSI *

FEATURES:

- Double diaphragm construction.
- Compact design.
- All wetted parts are plastic.
- Non-sticking design with bubble-tight sealing.
- All ports on the same plane.

APPLICATION:

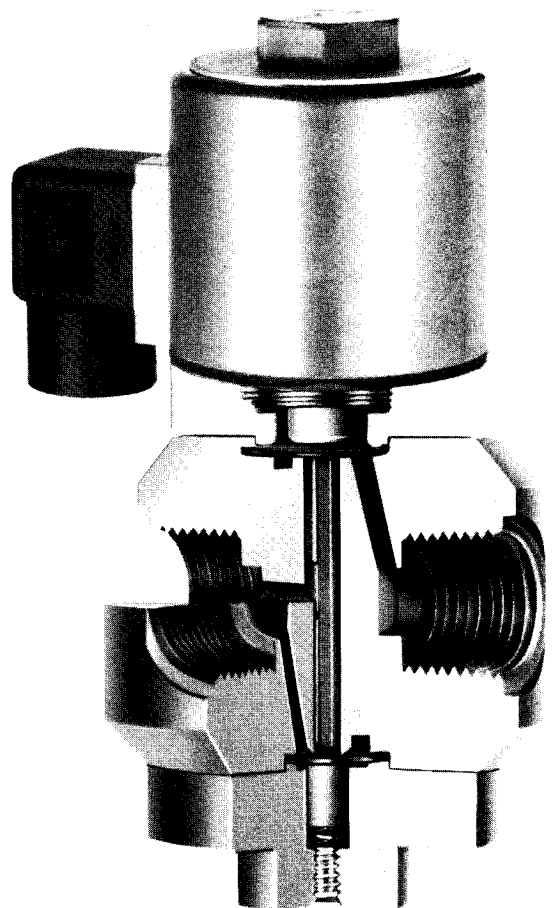
Series TUC three-way solenoid valves are used to divert flows from a common inlet to either of two outlets. They can also be used in reverse to feed flows from two lines into a common outlet; however, this reverse application can only be used with pressures less than 5 PSI. They are recommended for handling corrosive or ultra-pure liquids. Not designed for vacuum service.

MATERIALS OF CONSTRUCTION:

These valves are constructed of PVC (polyvinyl chloride), natural polypro, Teflon® and PVDF (Kynar®) with Buna-N or Viton® diaphragms. EPDM is optional. Stainless steel fasteners are standard and are not in wetted areas. A 20 watt coil is standard and is available in 24, 120, 240 or 480 VAC. Consult factory for DC voltage.

DESIGN:

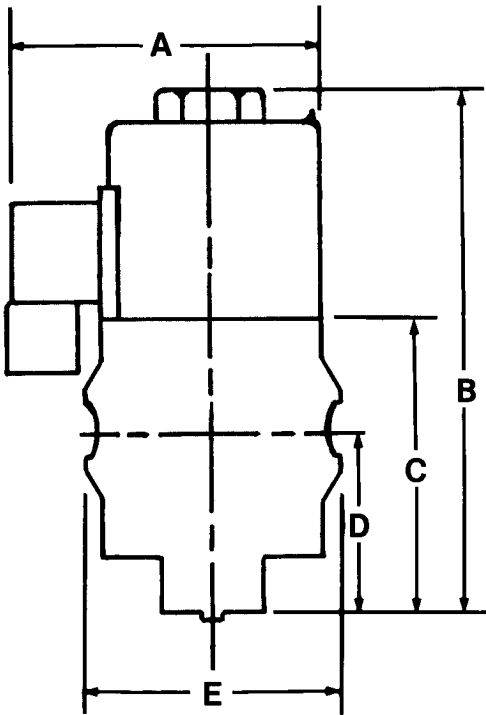
These solenoid valves are direct acting. They have a lower and upper diaphragm separating the liquid from the opposing springs. There is no metal in the liquid section of the valve. Cycle tests have been successfully run to 500,000 cycles.



Series TUC

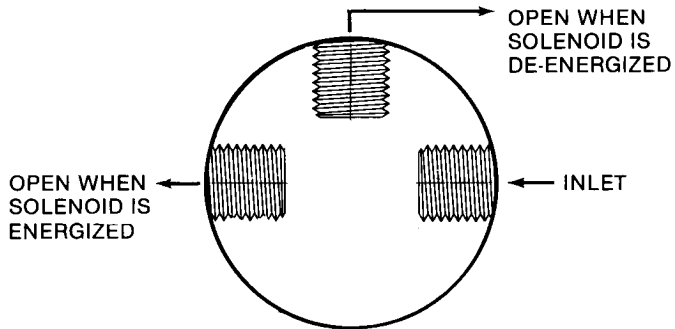
*For three-way high pressure solenoid valves, refer to Catalog THP.

DIMENSIONS



SERIES TUC DIMENSIONS										
	A		B		C		D		E	
SIZE	In.	mm.	In.	mm.	In.	mm.	In.	mm.	In.	mm.
1/8 & 1/4	3.5	89	5.1	130	2.8	71	1.4	35	2.0	51
3/8 & 1/2	3.5	89	5.9	150	3.2	81	1.7	43	2.5	64

FLOW PATTERN (TOP VIEW OF VALVE SHOWN)



SERIES TUC SPECIFICATIONS AND PART NUMBERS

PIPE SIZE INCH	ORIFICE SIZE		C _v FACTOR	MAX. INLET PRESSURE		MAX. BACK PRESSURE		VITON MODEL NUMBER ¹	BUNA-N MODEL NUMBER ¹
	IN.	MM.		PSI	BARs	PSI	BARs		
1/8	3/32	2.38	.22	50	3,45	10	0,69	TUC1V3W20-PV	TUC1B3W20-PV
1/4	3/32	2.38	.22	50	3,45	10	0,69	TUC2V3W20-PV	TUC2B3W20-PV
3/8	3/32	2.38	.22	50	3,45	10	0,69	TUC3V3W20-PV	TUC3B3W20-PV
1/2	3/32	2.38	.22	50	3,45	10	0,69	TUC4V3W20-PV	TUC4B3W20-PV
1/8	1/8	3.18	.31	25	1,73	8	0,55	TUC1V4W20-PV	TUC1B4W20-PV
1/4	1/8	3.18	.31	25	1,73	8	0,55	TUC2V4W20-PV	TUC2B4W20-PV
3/8	1/8	3.18	.31	25	1,73	8	0,55	TUC3V4W20-PV	TUC3B4W20-PV
1/2	1/8	3.18	.31	25	1,73	8	0,55	TUC4V4W20-PV	TUC4B4W20-PV
1/8	1/4	6.35	.40	20	1,38	5	0,35	TUC1V8W20-PV	TUC1B8W20-PV
1/4	1/4	6.35	.40	20	1,38	5	0,35	TUC2V8W20-PV	TUC2B8W20-PV
3/8	1/4	6.35	.40	20	1,38	5	0,35	TUC3V8W20-PV	TUC3B8W20-PV
1/2	1/4	6.35	.40	20	1,38	5	0,35	TUC4V8W20-PV	TUC4B8W20-PV

1. EPDM seals are also available. Change model numbers to "EP" instead of "V" or "B". Model numbers are shown with molded "W20" water and dust-tight coil for corrosive atmospheres. If a "G20" general purpose coil is desired, change "W20" to "G20"; price is the same for "G20" and "W20". If an explosion proof water-tight coil is desired, change "W20" to "E20".

2. Model numbers are shown for "PVC". For Polypro change "PV" to "PP", for Teflon® change to "TF" and for PVDF change to "PF".

3. Coils are rated continuous duty up to 95°F (35°C) ambient temperature. For complete information on Plast-O-Matic coils, including duty cycles, see Catalog MSV, for two-way solenoid valves.

4. Above pressure ratings are with AC coils. Pressure ratings for DC coils are 50% less.

AUTHORIZED PLAST-O-MATIC DISTRIBUTOR

PLAST-O-MATIC
VALVES, INC.