

New!

Series "PRU" Ultra-Pure Pressure Regulators All-Teflon® Internal Design

Teflon® PTFE, Kynar® PVDF or Natural Polypropylene Valve Bodies



Features:

- All internal wetted components are chemically inert Teflon for safeguarding media purity.
- Unique convoluted Teflon PTFE diaphragm senses downstream pressure and isolates liquid from spring.
- Set pressure range from 5 to 100 PSI.
- Rugged construction with allowable inlet pressure to 120 PSI (8.3 bar).
- Teflon shaft assures smooth, non-sticking operation.
- Teflon PTFE, Kynar PVDF or Natural polypropylene bodies available with flare, socket or NPT connections; Kynar PVDF and Natural Polypropylene also available with spigot connections.

Description:

Designed for ultra-pure water and chemicals, this pressure regulator uses isolated spring force to control downstream pressure.

This regulator should be set while in a flowing condition. Plast-O-Matic uses 1 GPM (3.8 LPM) as a reference. The PRU will handle inlet pressure up to 120 psi and the downstream pressure can be set from 5 to 100 psi.

The design of the PRU features a convoluted Teflon diaphragm that acts upon a Teflon shaft. The tapered end of the shaft is extended through an orifice. Process pressure from the outlet is applied to one side of the diaphragm; spring pressure is applied to the other. The spring force is adjusted while in the flowing condition to

"set" the regulator. The flow path is open, eliminating dead-legs and crevices.

Material of Construction:

Standard body materials are Teflon® PTFE, Natural Polypropylene, and Kynar® PVDF. Seal and shaft materials are Teflon. The spring housing and adjusting screw (non-wetted) are natural polypropylene. These could be constructed of other materials; consult factory. The springs are stainless steel. Standard connections for polypropylene and PVDF bodies are socket, flare, and spigot. Standard connections for Teflon are threaded and flare. Flanges and other custom connections are available.



PLAST-O-MATIC VALVES, INC.

Supplied by: KTH Sales, Inc.

(219) 736-0060 • Fax (219) 769-0263 • www.KTHSales.com

ULTRA-PURE TEFLON® PRESSURE REGULATORS

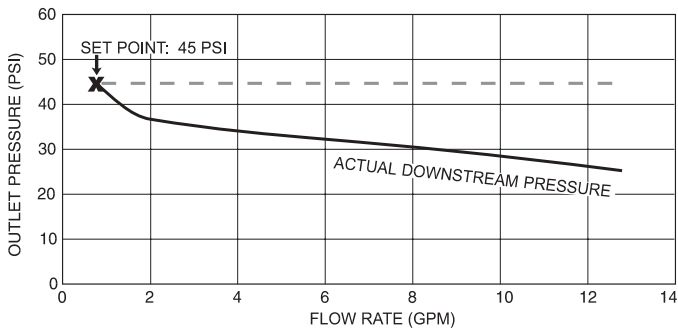
Operation:

Series PRU pressure regulators prevent downstream pressure from exceeding the desired set pressure. An isolated spring holds the valve in the open position. When outlet pressure rises near the set point (determined by the spring force), the regulator will begin to close, keeping the downstream pressure from exceeding the set pressure. As equipment or valves downstream of the regulator begin to open and demand flow, the downstream pressure drops below the set point, so the regulator will open.

Because of the high purity, high flow design of Series PRU, it is not designed to close completely. In a "no-flow" condition, outlet pressure will equalize to inlet pressure.

Performance:

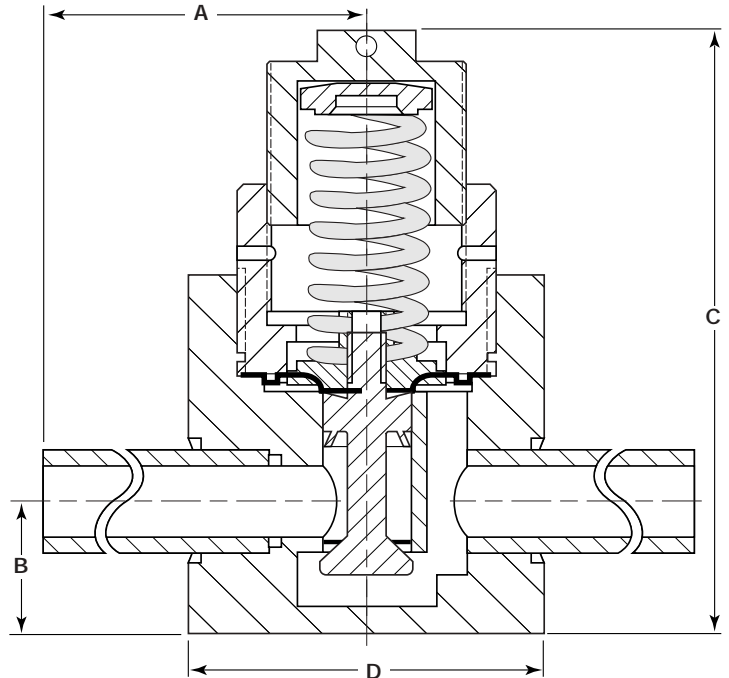
Chart shows typical lab tested performance of 1" Regulators Flow Capacity (GPM) versus Outlet Pressure (PSI).



Droop is the difference between the pressure regulator set pressure and the actual downstream pressure at a higher flow. The chart above identifies the high flow capacities and the low pressure droop of Plast-O-Matic regulators which result in their greater sensitivity, finer adjustability and superior accuracy. The dashed line in the chart above represents the "theoretically perfect" pressure regulator; i.e., no droop regardless of flow rate.

Teflon® is a registered trademark of DuPont. Kynar® is a registered trademark of Atofina. True Blue is a trademark of Plast-O-Matic Valves, Inc. © 2000-2002 Plast-O-Matic Valves, Inc.

Dimensions:



PIPE SIZE	A (typical)		B (max.)		C		D	
	in.	mm.	in.	mm.	in.	mm.	in.	mm.
1"*	4.25	104.1	7.75	189.8	1.90	46.5	4.50	100.2

* For 1/4", 1/2", 3/4" dimensions, consult factory.

Model Numbers & Body Type:

Series	Size	Seal Material	Fitting	Body Material
PRU	100	T - Teflon®	FR - Flare SP - Spigot S - Socket T - Threaded	PF - Kynar® PVDF TF - Teflon® PTFE PP - Natural Polypro
	1" - 100 also available: 1/4" - 025 1/2" - 050 3/4" - 075			

PLAST-O-MATIC
VALVES, INC.

Authorized Stocking Distributor **KTH Sales, Inc.**

(219) 736-0060 • Fax (219) 769-0263

www.KTHSales.com • Sales@KTHSales.com

07/02