

PROCESS TECHNOLOGY

MODEL TS ELECTROMECHANICAL TIMER

24 hour/7 day switching.

Ideal for lighting and heating applications.



FEATURES:

- * Double pole single throw switch.
- * 40 amp capacity on inductive or resistive loads (120 through 277 volts).
- * 120 or 208-277 volt timer motors available.
- * On/Off trippers available for multiple daily settings (four hours minimum cycle time).
- * Skip feature for days not required.
- * Wall mountable enclosure.
- * UL recognized components.
- * Operating ambient 30° to 120°F. max.

CONTROLS

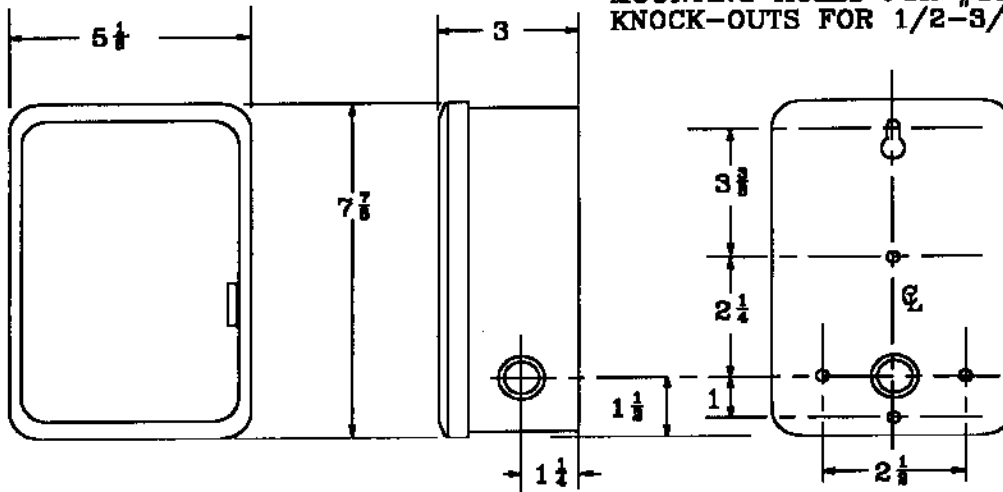
MODEL NUMBERS

MODEL NUMBER	VOLTAGE	AMPERAGE	SHIP WGT.
TS-1	120	40	5
TS-2	240	40	5

DIMENSIONS

TS MECHANICAL TIMER

MOUNTING HOLES FOR #10 SCREWS
KNOCK-OUTS FOR 1/2-3/4" CONDUIT



ORDERING INFORMATION	
Type	Voltage
TS	1=120 2=240

ORDERING EXAMPLE

TS 1

Time switch, 120 volt

CONSULT INSTALLATION AND MAINTENANCE INFORMATION FOR SPECIFIC INSTRUCTIONS