



PVC & CPVC BASKET STRAINERS

BS-2-0699

Multi-Featured Industrial Basket Strainer



Spears fabricated Basket Strainers are constructed of heavy bodied PVC or CPVC. Available in IPS sizes 2" through 12" with choice of socket, spigot or flanged ends and EPDM, Viton® or PTFE encapsulated O-ring seals. A convenient quick release clamp cap is equipped with safety pressure gauge and pressure release ball valve for safer system operation and strainer cleaning. Additional drain plug allows complete drain and flush of unit. Designed to remove unwanted solids from plastic or metal piping systems, Spears Basket Strainers are ideal for protecting valves, filters, pumps, nozzles or other liquid control devices in corrosive or non-corrosive fluid systems.

PVC or CPVC Construction

Spears Basket Strainers produced from heavy bodied PVC or CPVC never rust, scale, or pit, providing exceptional chemical and corrosion resistance.

Multiple O-Ring Options

Choice of high grade, abrasion resistant EPDM, Viton® or PTFE encapsulated elastomer o-rings allows application specific selection for optimum chemical resistance.

Strainer Basket Options

Choice of PVC, CPVC baskets in standard 1/16" or 1/8" perforation or Stainless Steel baskets in perforated or standard mesh sizes. Additional Stainless Steel perforation or wire mesh can be supplied based on customer specifications.

Convenient Safety Pressure Gauge

Easy to read 0-160 psi pressure gauge for monitoring system pressure.

Pressure Release Valve

1/4" ball valve for simplified pressure release for maintenance and service of system. Valve O-ring options are provided to match Basket Strainer unit supplied.

Quick Release Cap

Eliminates problems with seized threads. Quick, convenient access to strainer with bolt-down safety locknut to prevent accidental opening.

Maximum Flow

Minimum 6:1 open area ratio through the strainer basket to the corresponding piping system allows maximum straining capacity with minimum pressure loss.

Maximum Service Temperatures

PVC 140°F (60°C), CPVC 200°F (93°C)

150 psi Pressure Rating

Maximum Internal Pressure at 73°F. Derating required at elevated temperatures.



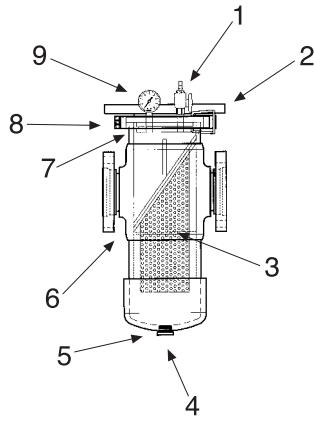
Quality Systems Certificate No. 293
Corporate Facilities, Sylmar, CA
Assessed to ISO 9001

Sample Engineering Specification

All thermoplastic Basket Strainers shall be fabricated from PVC Type I Cell Classification 12454 or CPVC Type IV Cell Classification 23447 material. All o-rings shall be EPDM, Viton® or PTFE encapsulated elastomer. Strainer baskets shall be perforated PVC, CPVC or type 316 stainless steel or type 316 stainless steel wire mesh. Standard strainer perforation shall be 1/16" or 1/8" with a minimum open area ratio of 6:1, or specified perforation/mesh opening. Basket strainer shall have quick release clamp retained bonnet with safety nut, pressure release valve and safety pressure gauge. Unit shall be equipped with o-ring sealed drain plug at lower end. Basket strainer shall be pressure rated at 150 psi for water at 73°F, as manufactured by Spears Manufacturing Company.

PROGRESSIVE PRODUCTS FROM SPEARS INNOVATION & TECHNOLOGY

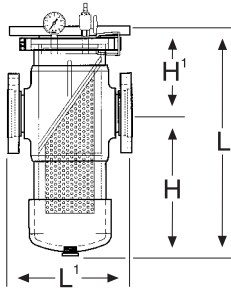
Visit our web site: www.spearsmfg.com



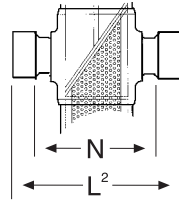
	Component	Material
1	1/4" Valve	PVC / CPVC *
2	Bonnet Cap	PVC / CPVC
3	Strainer Basket	PVC / CPVC / 316 Stainless Steel
4	Drain Plug	PVC / CPVC
5	Plug-O-Ring	EPDM / Viton® / PTFE
6	Body	PVC / CPVC
7	Bonnet O-Ring	EPDM / Viton® / PTFE
8	Bonnet Clamp	Zinc Plated Steel
9	Pressure Gauge	0-160 psi
10	Port Plugs** (not shown)	PVC / CPVC

* Valve o-rings correspond to Strainer Basket specification.

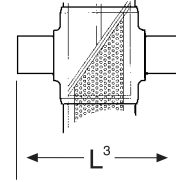
** Port plugs for use when gauge and valve are not installed.



Flanged Style



Socket Style



Spigot Style

Size	H	H¹	N	L	L¹	L²	L³
2	10-3/8	6-3/4	8-5/8	17-1/8	8-3/4	12-1/8	11-3/4
3	13-3/8	8-1/4	11-5/8	21-5/8	11-1/2	16-1/8	15-1/2
4	16-7/8	8-3/8	13-1/2	25-1/4	11-3/4	18	17-1/2
6	17-1/2	10-1/8	18-1/8	27-5/8	17-1/8	24-3/8	23-3/8
8	24-5/8	11-1/8	21-1/4	35-3/4	17-3/4	29-3/4	28-3/4
10	34-3/16	14-1/16	21-1/4	48-1/4	22-5/8	31-3/4	30-1/2
12	44-1/8	15-1/16	23-1/4	59-3/16	23-7/8	35-3/4	36-1/2



SPEARS® MANUFACTURING COMPANY

CORPORATE OFFICES

15853 Olden Street, Sylmar, CA 91342
 P.O. Box 9203, Sylmar, CA 91392
 (818) 364-1611 • <http://www.spearsmfg.com>



PACIFIC SOUTHWEST

15860 Olden Street
 Sylmar (Los Angeles), CA 91342
 P.O. Box 9203, Sylmar, CA 91392
 (818) 364-1611
 (800) 862-1499
 FAX: (818) 367-3014

NORTHWEST

3902 "B" Street N.W.
 Auburn (Seattle), WA
 98001
 (253) 939-4433
 (800) 347-7327
 FAX: (253) 939-7557

ROCKY MOUNTAIN

4800 Nome Street
 Denver, CO
 80239
 (303) 371-9430
 (800) 777-4154
 FAX: (303) 375-9546

SOUTH CENTRAL

1838 Forms Drive
 Carrollton (Dallas), TX
 75006
 (972) 245-0387
 (800) 441-1437
 FAX: (972) 245-4205

UTAH

1415 South 700 West #3
 Salt Lake City, UT
 84104
 (801) 972-0659
 FAX: (801) 972-0688

NORTHEAST

543 Industrial Drive
 Lewisberry (Harrisburg), PA
 17339-9532
 (717) 938-8844
 (800) 233-0275
 FAX: (717) 938-6547

SOUTHEAST

2751 Miller Road
 Decatur (Atlanta), GA
 30035
 (770) 981-7122
 (800) 662-6326
 FAX: (770) 981-6106

FLORIDA

3445 Bartlett Boulevard
 Orlando, FL
 32811
 (407) 843-1960
 (800) 327-6390
 FAX: (407) 425-3563

MIDWEST

854 Fairway Drive
 Bensenville (Chicago), IL
 60106
 (630) 773-0075
 (800) 662-6330
 FAX: (630) 773-0435

INTERNATIONAL SALES

15853 Olden Street
 Sylmar (Los Angeles), CA 91342
 P.O. Box 9203
 Sylmar, CA 91392
 (818) 364-1611
 FAX: (818) 898-3774
 E-mail: export@spearsmfg.com