

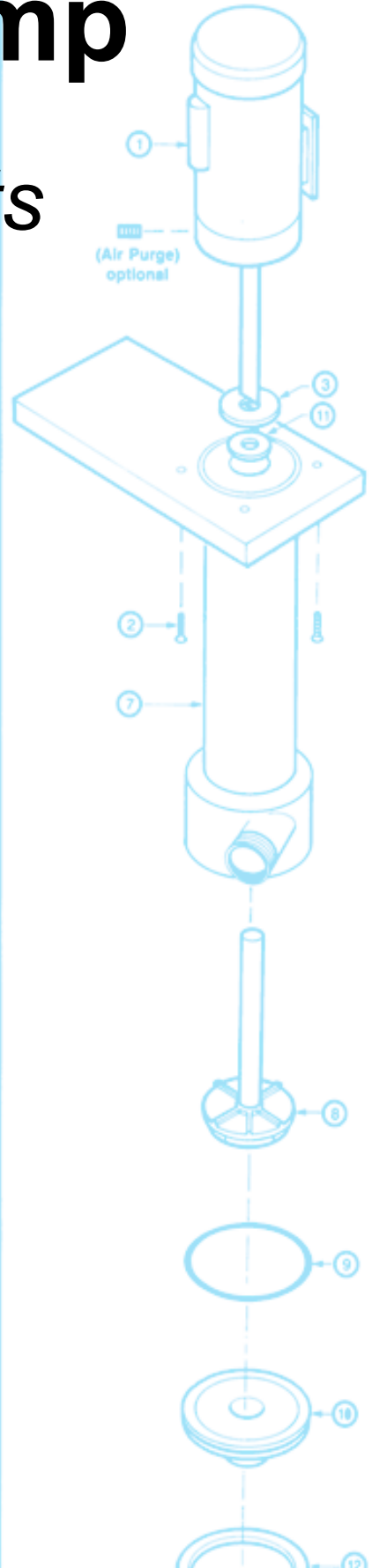
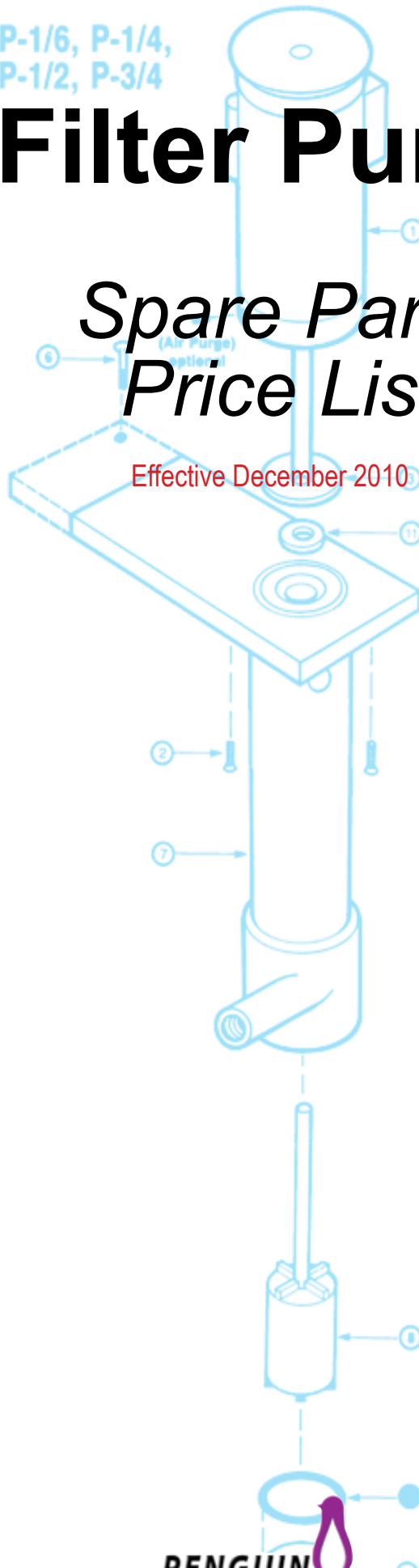
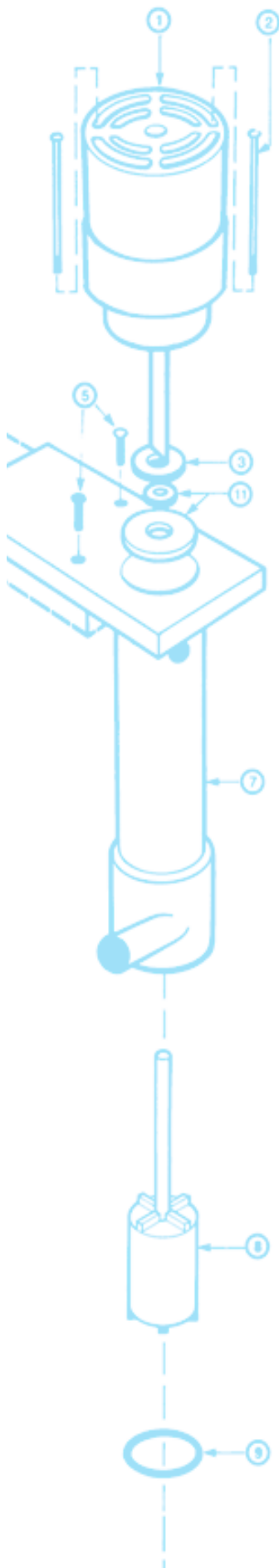
P-1/6, P-1/4,  
P-1/2, P-3/4

P-1/2-HP, P-3/4-HP  
P-1, P-1½, P-2

# Filter Pump

## Spare Parts Price List

Effective December 2010



# Table of Contents

**Filter Chamber Parts ..... Page 3**

Series C/CN/CT/CB Filter Chambers

**Pumps Parts ..... Page 3**

Series HV Horizontal Centrifugal Pumps

**Pumps Parts ..... Page 4**

Series P Sealless Vertical Pumps

**Pumps Parts ..... Page 5**

Series M Magnetic Drive Pumps

**Pumps Parts ..... Page 6**

Series HD Two & Three Stage Horizontal Centrifugal Pumps  
Series HSC Stainless Steel Single & Two Stage Centrifugal Pumps  
Series HN Horizontal Centrifugal Pumps  
Series MT Magnetic Drive Pumps  
Series HOM Horizontal Centrifugal Pumps

**Filter System Parts..... Page 7**

Series BF Bag Filter Systems  
Series SF CPVC In-Tank Suction

**Metal Recovery Systems..... Page 7**

Series MR/SR Metal Recovery Systems

**Tank & Drum Mixers ..... Page 7**

Series PM Tank & Drum Mixers

**Pressure Gauges..... Page 7**

Series PGG Pressure Gauges

[PRICING: Subject to Change Without Notice.](#)

F.O.B. Sun Valley, California.

Does not include any applicable taxes.

\$250.00 net minimum billing.

[TERMS:](#)

1% 10 days, Net 30 days on approved credit.

[RETURN POLICY:](#)

An RGA number must be obtained before returning product(s).

A 20% restocking fee will be assessed on all products received in new resalable condition.

ALL shipments must be prepaid to the factory or the shipment will be rejected.

[WARRANTY:](#)

One year guarantee against defective parts and workmanship with a 90 day guarantee on all motors. This standard guarantee does not apply when equipment is used contrary to factory recommendations, or in misapplications. Since the policy of Filter Pump Industries is one of continual improvement, we reserve the right to change design or material at any time, without giving notice or creating any obligations to previous or future customers.

[APPROXIMATE LEAD TIMES:](#)

|                                 |                         |
|---------------------------------|-------------------------|
| Stock pumps and parts:          | 3-5 days                |
| Altered or special build items: | 2 weeks                 |
| Non-stock or production orders: | Quoted at time of order |

[RUSH ORDERS:](#)

Order must be faxed and received by 12:00 noon for the factory to attempt same day shipment for stock items.

Items requiring modification or building will ship within 2-3 working days.

Rush orders will ship via air freight if truck not required.

(Rush orders accepted via fax only)

## Filter Chamber Parts



### Series C Filter Chambers Bulletin 101

| PART #        | PRICE      |
|---------------|------------|
| C-120-02A-TOP | \$ 849.20  |
| C-120-02A-BOT | \$ 658.00  |
| C-120-02C-TOP | \$1,053.00 |
| C-120-02C-BOT | \$1,053.00 |
| C-120-03E-A   | \$ 26.10   |
| C-120-03E-C   | \$ 26.10   |
| C-120-03EQ    | \$ 38.90   |
| C-120-03V-A   | \$ 41.00   |
| C-120-03V-C   | \$ 41.00   |
| C-120-03VQ    | \$ 61.70   |
| C-120-04E-A   | \$ 24.00   |
| C-120-04E-C   | \$ 24.00   |
| C-120-04EQ    | \$ 36.30   |
| C-120-04V-A   | \$ 38.90   |
| C-120-04V-C   | \$ 38.90   |
| C-120-04VQ    | \$ 57.90   |
| C-120-08A-1   | \$1,366.60 |
| C-120-08A-2   | \$1,845.30 |
| C-120-08A-3   | \$2,280.70 |
| C-120-08A-4   | \$2,502.90 |
| C-120-11A-DOE | \$ 162.80  |
| C-120-12E     | \$ 13.90   |
| C-120-12V     | \$ 22.70   |
| C-120-20A-SOE | \$ 820.50  |
| C-120-20B-SOE | \$ 861.50  |
| C-120-20C-SOE | \$1,312.75 |
| C-300-01A     | \$ 111.50  |
| C-300-01B     | \$ 111.50  |
| C-300-01C     | \$ 186.60  |
| C-300-02E     | \$ 10.60   |
| C-300-02V     | \$ 27.80   |
| C-300-03A-6   | \$ 188.40  |
| C-300-03A-1   | \$ 207.50  |
| C-300-03A-2   | \$ 301.00  |
| C-300-03A-3   | \$ 395.00  |
| C-300-03B-1   | \$ 206.90  |
| C-300-03C-1   | \$ 372.90  |
| C-300-04A     | \$ 26.10   |
| C-300-04B     | \$ 26.10   |
| C-300-04C     | \$ 45.00   |
| C-300-05E     | \$ 2.60    |
| C-300-05V     | \$ 4.10    |
| C-300-06V     | \$ 10.60   |
| C-300-07ABV   | \$ 9.00    |
| C-300-07B     | \$ 5.40    |
| C-300-07C     | \$ 22.40   |
| C-300-08A     | \$ 37.90   |
| C-300-08B     | \$ 37.90   |

|               |            |
|---------------|------------|
| C-300-08C     | \$ 62.20   |
| B-3C-1A       | \$ 59.80   |
| B-3C-1B       | \$ 59.80   |
| B-3C-1C       | \$ 97.30   |
| B-3C-2A       | \$ 59.80   |
| B-3C-2B       | \$ 59.80   |
| C-400-01A     | \$ 126.60  |
| C-400-01B     | \$ 126.60  |
| C-400-01C     | \$ 211.90  |
| C-400-03A-1   | \$ 31.90   |
| C-400-03A-2   | \$ 37.40   |
| C-400-03B-1   | \$ 31.90   |
| C-400-03B-2   | \$ 37.40   |
| C-400-03B-3   | \$ 44.00   |
| C-400-03C-1   | \$ 57.60   |
| C-400-03C-2   | \$ 102.40  |
| C-400-03C-3   | \$ 143.00  |
| C-400-04B     | \$ 20.00   |
| C-400-04C     | \$ 33.00   |
| C-400-05A-1   | \$ 339.40  |
| C-400-05A-2   | \$ 483.30  |
| C-400-05B-1   | \$ 339.40  |
| C-400-05B-2   | \$ 483.30  |
| C-400-05B-3   | \$ 580.30  |
| C-400-05C-1   | \$ 632.80  |
| C-400-05C-2   | \$ 993.70  |
| C-400-05C-3   | \$1,355.40 |
| B-4C-1A       | \$ 97.00   |
| B-4C-1B       | \$ 97.00   |
| B-4C-1C       | \$ 157.50  |
| BC-600-01     | \$ 13.90   |
| BF-50-13B-1   | \$ 13.90   |
| BF-100-3B-1.5 | \$ 13.90   |
| C-600-02A-top | \$ 179.30  |
| C-600-02A-bot | \$ 179.30  |
| C-600-02B-top | \$ 196.50  |
| C-600-02B-bot | \$ 196.50  |
| C-600-03A-3   | \$ 42.70   |
| C-600-03B-3   | \$ 44.75   |
| C-600-03A-4   | \$ 49.00   |
| C-600-03E     | \$ 15.60   |
| C-600-03V     | \$ 26.10   |
| C-600-04E     | \$ 13.90   |
| C-600-04V     | \$ 22.70   |
| C-600-07-TOP  | \$ 8.00    |
| C-600-07-BOT  | \$ 8.75    |
| C-600-08A-1   | \$ 521.30  |
| C-600-08A-2   | \$ 709.00  |
| C-600-08A-3   | \$ 896.90  |
| C-600-08A-4   | \$1,081.60 |
| C-600-08B-1   | \$ 572.60  |
| C-600-08B-2   | \$ 777.50  |
| C-600-08B-3   | \$ 982.50  |
| C-600-08B-4   | \$1,185.10 |
| C-600-09A     | \$ 9.90    |

|               |                 |
|---------------|-----------------|
| C-600-09B     | \$ 9.90         |
| C-600-09C     | \$ 16.50        |
| C-600-10E     | \$ 2.30         |
| C-600-10V     | \$ 2.80         |
| C-600-11A-DOE | \$ 102.60       |
| C-600-11B-DOE | \$ 111.00       |
| C-600-11A-SOE | \$ 102.90       |
| C-600-11B-SOE | \$ 111.00       |
| C-600-12E     | \$ 7.30         |
| C-600-12V     | \$ 11.10        |
| C-600-13      | \$ 2.80         |
| C-600-14      | \$ 19.40        |
| C-600-18A     | \$ 169.50       |
| C-600-18B     | \$ 169.50       |
| C-600-19A     | Consult Factory |
| C-600-19B     | Consult Factory |
| C-600-20A-SOE | \$ 282.25       |
| C-600-20B-SOE | \$ 307.50       |
| C-800-02A-top | \$ 333.50       |
| C-800-02A-bot | \$ 333.50       |
| C-800-02B-top | \$ 353.50       |
| C-800-02B-bot | \$ 353.50       |
| C-800-02C-top | \$ 519.00       |
| C-800-02C-bot | \$ 519.00       |
| C-800-03E-A   | \$ 19.40        |
| C-800-03E-C   | \$ 19.40        |
| C-800-03EQ    | \$ 33.80        |
| C-800-03V-A   | \$ 30.90        |
| C-800-03V-C   | \$ 30.90        |
| C-800-03VQ    | \$ 54.10        |
| C-800-04E-A   | \$ 17.20        |
| C-800-04E-C   | \$ 17.20        |
| C-800-04EQ    | \$ 30.70        |
| C-800-04V-A   | \$ 27.80        |
| C-800-04V-C   | \$ 27.80        |
| C-800-04VQ    | \$ 48.40        |
| C-800-08A-1   | \$ 863.10       |
| C-800-08A-2   | \$1,153.20      |
| C-800-08A-3   | \$1,426.80      |
| C-800-08A-4   | \$1,699.70      |
| C-800-08B-1   | \$ 906.25       |
| C-800-08B-2   | \$1,210.75      |
| C-800-08B-3   | \$1,498.00      |
| C-800-08B-4   | \$1,785.00      |
| C-800-08C-1   | \$2,937.80      |
| C-800-08C-2   | \$3,991.10      |
| C-800-08C-3   | \$4,869.20      |
| C-800-08C-4   | \$5,907.20      |
| C-800-11A-DOE | \$ 142.00       |
| C-800-11C-DOE | \$ 248.10       |
| C-800-12E     | \$ 9.00         |
| C-800-12V     | \$ 13.90        |
| C-800-17A-4   | \$ 48.20        |
| C-800-18A     | \$ 188.40       |
| C-800-18B     | \$ 188.40       |

|               |                 |
|---------------|-----------------|
| C-800-18C     | \$ 279.80       |
| C-800-19A     | Consult Factory |
| C-800-19B     | Consult Factory |
| C-800-20A-SOE | \$ 475.50       |
| C-800-20B-SOE | \$ 499.00       |
| C-800-20C-SOE | \$ 751.00       |
| CN-600-15A-1  | \$ 735.80       |
| CN-600-15B-1  | \$ 772.00       |
| CN-600-15A-2  | \$ 932.60       |
| CN-600-15B-2  | \$ 979.00       |
| CN-600-15A-3  | \$1,130.00      |
| CN-600-15B-3  | \$1,187.00      |
| CN-800-15A-1  | \$1,256.00      |
| CN-800-15B-1  | \$1,319.00      |
| CN-800-15A-2  | \$1,561.00      |
| CN-800-15B-2  | \$1,639.00      |
| CN-800-15A-3  | \$1,848.00      |
| CN-800-15B-3  | \$1,941.00      |
| CT-600-03A-6  | \$ 28.30        |
| CT-600-16B-2  | \$ 64.40        |
| CT-600-16B-3  | \$ 68.10        |
| CT-600-17A    | \$ 109.50       |
| CT-600-17B    | \$ 115.00       |
| CT-600-18A    | \$ 169.50       |
| CT-600-18B    | \$ 169.50       |
| CT-600-19A    | Consult Factory |
| CT-600-19B    | Consult Factory |
| CT-800-16B-2  | \$ 77.00        |
| CT-800-16B-3  | \$ 84.80        |
| CT-800-16B-4  | \$ 3.80         |
| CT-800-17A    | \$ 129.90       |
| CT-800-17B    | \$ 136.50       |
| CT-800-18A    | \$ 188.40       |
| CT-800-18B    | \$ 188.40       |
| CT-800-19A    | Consult Factory |
| CT-800-19B    | Consult Factory |
| CT-120-10B-2  | \$ 101.80       |
| CT-120-10B-3  | \$ 119.00       |
| CT-120-18A    | \$ 188.40       |
| CT-120-18B    | \$ 188.40       |
| CT-120-19A    | Consult Factory |
| CT-120-19B    | Consult Factory |
| CB-600-04A    | \$ 34.50        |
| CB-600-10A    | \$ 196.50       |
| CB-800-04A    | \$ 42.70        |
| CB-800-10A    | \$ 358.90       |

## Pumps Parts

### Series HV Horizontal Centrifugal Pumps Bulletin 202



| PART #        | PRICE    |
|---------------|----------|
| HV-120-3102S  | \$569.80 |
| HV-120-3102D  | \$595.60 |
| HV-120-01FC   | \$122.40 |
| HV-120-03A    | \$215.60 |
| HV-120-04     | \$ 3.60  |
| HV-120-05S    | \$ 2.60  |
| HV-120-0601SE | \$ 97.50 |
| HV-120-0601SV | \$100.70 |
| HV-120-0601DE | \$177.80 |
| HV-120-0601DV | \$188.10 |
| HV-120-0602SE | \$406.10 |
| HV-120-0602SV | \$413.40 |
| HV-120-0602DE | \$496.30 |
| HV-120-0602DV | \$510.80 |
| HV-120-0603NE | \$ 97.50 |

|               |          |
|---------------|----------|
| HV-120-0603NV | \$100.70 |
| HV-120-0604NV | \$413.40 |
| HV-120-07E    | \$ 8.30  |
| HV-120-07V    | \$ 10.20 |
| HV-120-08E    | \$ 9.20  |
| HV-120-08V    | \$ 12.10 |
| HV-120-09-01  | \$ 66.50 |
| HV-120-09-02  | \$ 66.50 |
| HV-120-10     | \$ 2.60  |
| HV-120-11     | \$ 2.60  |
| HV-120-12A    | \$140.30 |
| HV-120-12A-1  | \$140.10 |
| HV-120-13E    | \$ 26.10 |
| HV-120-13V    | \$ 32.50 |
| HV-120-14A    | \$150.70 |
| HV-120-15     | \$ 2.60  |
| HV-120-17     | \$ 73.70 |
| HV-120-18     | \$145.50 |
| HV-120-19SE   | \$628.30 |
| HV-120-19SV   | \$658.00 |
| HV-120-19DE   | \$791.40 |
| HV-120-19DV   | \$821.20 |
| HV-120-19NE   | \$628.30 |
| HV-120-19NV   | \$658.00 |
| HV-340-0102S  | \$618.40 |
| HV-340-0102D  | \$651.60 |

|              |          |
|--------------|----------|
| HV-340-2102S | \$676.10 |
| HV-340-2102D | \$709.00 |
| HV-340-3102S | \$618.40 |
| HV-340-3102D | \$651.60 |
| HV-340-03A   | \$290.40 |
| HV-340-12A   | \$156.10 |
| HV-340-12A-1 | \$159.20 |
| HV-340-14A   | \$169.50 |
| HV-340-19SE  | \$722.00 |
| HV-340-19SV  | \$752.00 |
| HV-340-19DE  | \$885.70 |
| HV-340-19DV  | \$915.10 |
| HV-340-19NE  | \$722.00 |
| HV-340-19NV  | \$752.10 |
| HV-100-0102S | \$681.20 |
| HV-100-0102D | \$716.70 |
| HV-100-3102S | \$681.20 |
| HV-100-3102D | \$716.70 |
| HV-100-12A   | \$172.90 |
| HV-100-12A-1 | \$176.30 |
| HV-100-19SE  | \$769.70 |
| HV-100-19SV  | \$799.40 |
| HV-100-19DE  | \$933.10 |
| HV-100-19DV  | \$962.80 |
| HV-100-19NE  | \$769.70 |
| HV-100-19NV  | \$799.40 |

|              |            |
|--------------|------------|
| HV-112-2102S | \$ 874.60  |
| HV-112-2102D | \$ 897.50  |
| HV-112-3102S | \$ 780.20  |
| HV-112-3102D | \$ 803.10  |
| HV-112-12A   | \$ 185.80  |
| HV-112-12A-1 | \$ 190.10  |
| HV-112-19SE  | \$ 815.90  |
| HV-112-19SV  | \$ 845.90  |
| HV-112-19DE  | \$ 979.70  |
| HV-112-19DV  | \$1,009.30 |
| HV-112-19NE  | \$ 815.90  |
| HV-112-19NV  | \$ 845.90  |
| HV-200-3102S | \$ 848.30  |
| HV-200-3102D | \$ 872.50  |
| HV-200-12A   | \$ 205.40  |
| HV-200-19SE  | \$ 887.00  |
| HV-200-19SV  | \$ 889.70  |
| HV-200-19DE  | \$1,023.50 |
| HV-200-19DV  | \$1,053.50 |
| HV-200-19NE  | \$ 860.30  |
| HV-200-19NV  | \$ 889.70  |
| HV-300-3102S | \$ 943.30  |
| HV-300-3102D | \$ 967.70  |

# Pumps Parts

## Series P/PHF/PX Sealless Vertical Pumps Bulletin 201



### MODEL

|            |          |
|------------|----------|
| P-115-01   | \$268.60 |
| P-115-21   | \$331.10 |
| P-115-01BS | \$ 40.60 |
| P-115-01EF | \$ 22.50 |
| P-115-01FC | \$ 42.60 |
| P-115-02   | \$ 2.90  |
| P-115-04A  | \$ 84.70 |
| P-115-05   | \$ 1.90  |
| P-115-06   | \$ 1.90  |
| P-115-07A  | \$216.20 |
| P-115-07B  | \$216.20 |
| P-115-07C  | \$382.60 |
| P-115-08A  | \$ 75.20 |
| P-115-08B  | \$ 75.20 |
| P-115-08C  | \$136.30 |
| P-115-09E  | \$ 4.40  |
| P-115-09V  | \$ 7.30  |
| P-115-10A  | \$ 58.30 |
| P-115-10B  | \$ 58.30 |
| P-115-10C  | \$108.30 |
| P-115-11V  | \$ 17.20 |
| P-115-12A  | \$316.50 |
| P-115-12B  | \$316.50 |
| P-115-12C  | \$555.40 |
| P-160-01   | \$322.70 |
| P-160-21   | \$392.10 |
| P-160-02   | \$ 2.10  |
| P-160-04A  | \$ 83.30 |
| P-160-05   | \$ 2.10  |
| P-160-06   | \$ 2.10  |
| P-160-07A  | \$274.50 |
| P-160-07B  | \$274.50 |
| P-160-07C  | \$498.70 |
| P-160-08A  | \$100.00 |
| P-160-08B  | \$102.90 |
| P-160-08C  | \$179.60 |
| P-160-09E  | \$ 7.60  |
| P-160-09V  | \$ 11.60 |
| P-160-10A  | \$ 77.00 |
| P-160-10B  | \$ 77.00 |
| P-160-10C  | \$128.40 |
| P-160-11A  | \$ 10.60 |
| P-160-11B  | \$ 10.60 |
| P-160-11C  | \$ 17.20 |
| P-160-13A  | \$444.30 |
| P-160-13B  | \$444.30 |
| P-160-13C  | \$794.60 |
| P-140-0103 | \$504.90 |
| P-140-3103 | \$504.90 |
| P-140-01BS | \$ 49.10 |
| P-140-01EF | \$ 41.10 |
| P-140-01FC | \$ 98.00 |
| P-140-02   | \$ 4.90  |
| P-140-05   | \$ 2.10  |
| P-140-06   | \$ 1.80  |
| P-140-07A  | \$369.00 |

|              |            |
|--------------|------------|
| P-140-07AL   | \$421.50   |
| P-140-07B    | \$381.60   |
| P-140-07C    | \$637.30   |
| P-140-08A    | \$106.10   |
| P-140-08B    | \$109.00   |
| P-140-08C    | \$190.00   |
| P-140-09E    | \$ 8.30    |
| P-140-09V    | \$ 13.10   |
| P-140-10A    | \$ 74.40   |
| P-140-10B    | \$ 74.40   |
| P-140-10C    | \$133.90   |
| P-140-11A    | \$ 9.80    |
| P-140-11B    | \$ 9.80    |
| P-140-11C    | \$ 16.00   |
| P-140-12V    | \$ 19.30   |
| P-140-13A    | \$489.20   |
| P-140-13B    | \$504.90   |
| P-140-13C    | \$852.40   |
| P-120-0103   | \$594.40   |
| P-120-0103-T | \$980.30   |
| P-120-2103   | \$646.60   |
| P-120-2103-T | \$1,032.30 |
| P-120-3103   | \$594.40   |
| P-120-3103-T | \$980.30   |
| P-120-01BS   | \$ 70.10   |
| P-120-01EF   | \$ 52.60   |
| P-120-01FC   | \$122.00   |
| P-120-02     | \$ 5.40    |
| P-120-05     | \$ 4.40    |
| P-120-06A    | \$480.30   |
| P-120-06B    | \$510.80   |
| P-120-06C    | \$823.90   |
| P-120-07A    | \$148.70   |
| P-120-07B    | \$152.30   |
| P-120-07C    | \$254.80   |
| P-120-07V    | \$ 4.30    |
| P-120-08A    | \$ 11.60   |
| P-120-08B    | \$ 11.60   |
| P-120-08C    | \$ 19.40   |
| P-120-08AHP  | \$ 162.80  |
| P-120-08AKHP | \$ 162.80  |
| P-120-08CHP  | \$ 276.80  |
| P-120-08CKHP | \$ 276.80  |
| P-120-09A    | \$ 94.30   |
| P-120-09B    | \$ 94.30   |
| P-120-09C    | \$ 162.80  |
| P-120-11V    | \$ 25.90   |
| P-120-12A    | \$ 681.90  |
| P-120-12B    | \$ 716.00  |
| P-120-12C    | \$1,193.90 |
| P-120-13AHP  | \$ 852.30  |
| P-120-13AKHP | \$ 852.30  |
| P-120-13BHP  | \$ 886.70  |
| P-120-13BKHP | \$ 886.70  |
| P-120-13CHP  | \$1,320.10 |
| P-120-13CKHP | \$1,320.10 |
| P-340-0103   | \$ 642.30  |
| P-340-0103-T | \$1,029.10 |
| P-340-2103   | \$ 694.90  |
| P-340-2103-T | \$1,081.10 |
| P-340-3103   | \$ 642.30  |
| P-340-3103-T | \$1,029.10 |
| P-340-06A    | \$ 499.20  |
| P-340-06B    | \$ 530.10  |
| P-340-06C    | \$ 852.30  |
| P-340-07A    | \$ 157.20  |
| P-340-07B    | \$ 160.50  |
| P-340-07C    | \$ 271.30  |
| P-340-08AHP  | \$ 165.70  |
| P-340-08AKHP | \$ 165.70  |
| P-340-08CHP  | \$ 283.90  |
| P-340-08CKHP | \$ 283.90  |

|              |            |
|--------------|------------|
| P-340-09A    | \$ 103.00  |
| P-340-09B    | \$ 103.00  |
| P-340-09C    | \$ 177.80  |
| P-340-12A    | \$ 711.00  |
| P-340-12B    | \$ 745.30  |
| P-340-12C    | \$1,227.20 |
| P-340-13AHP  | \$ 863.10  |
| P-340-13AKHP | \$ 863.10  |
| P-340-13BHP  | \$ 896.90  |
| P-340-13BKHP | \$ 896.90  |
| P-340-13CHP  | \$1,355.10 |
| P-340-13CKHP | \$1,355.10 |
| P-100-0103   | \$ 699.80  |
| P-100-0103-T | \$1,086.20 |
| P-100-2103   | \$ 786.90  |
| P-100-2103-T | \$1,173.10 |
| P-100-3103   | \$ 699.80  |
| P-100-3103-T | \$1,086.20 |
| P-100-07A    | \$ 583.20  |
| P-100-07B    | \$ 613.50  |
| P-100-07C    | \$1,001.30 |
| P-100-08A    | \$ 168.80  |
| P-100-08AK   | \$ 168.80  |
| P-100-08B    | \$ 172.60  |
| P-100-08BK   | \$ 172.60  |
| P-100-08C    | \$ 290.40  |
| P-100-08CK   | \$ 290.40  |
| P-100-08EK   | \$ 1.65    |
| P-100-08VK   | \$ 2.30    |
| P-100-09E    | \$ 12.30   |
| P-100-09V    | \$ 19.40   |
| P-100-10A    | \$ 131.90  |
| P-100-10B    | \$ 131.90  |
| P-100-10C    | \$ 237.70  |
| P-100-11A    | \$ 26.10   |
| P-100-11B    | \$ 26.10   |
| P-100-11C    | \$ 46.20   |
| P-100-12A    | \$ 38.80   |
| P-100-12B    | \$ 38.80   |
| P-100-13A    | \$ 883.20  |
| P-100-13AK   | \$ 883.20  |
| P-100-13B    | \$ 917.60  |
| P-100-13BK   | \$ 917.60  |
| P-100-13C    | \$1,390.20 |
| P-100-13CK   | \$1,390.20 |
| P-100-14AKE  | \$ 11.00   |
| P-100-14AKV  | \$ 13.00   |
| P-100-14CKV  | \$ 22.00   |
| P-100-16A    | \$ 4.20    |
| P-100-16B    | \$ 4.20    |
| P-100-16C    | \$ 6.40    |
| P-112-2103   | \$ 844.60  |
| P-112-2103-T | \$1,230.90 |
| P-112-3103   | \$ 757.60  |
| P-112-3103-T | \$1,144.00 |
| P-112-08A    | \$ 181.50  |
| P-112-08AK   | \$ 181.50  |
| P-112-08B    | \$ 184.70  |
| P-112-08BK   | \$ 184.70  |
| P-112-08C    | \$ 314.30  |
| P-112-08CK   | \$ 314.30  |
| P-112-13A    | \$ 886.00  |
| P-112-13AK   | \$ 886.00  |
| P-112-13B    | \$ 919.20  |
| P-112-13BK   | \$ 919.20  |
| P-112-13C    | \$1,393.00 |
| P-112-13CK   | \$1,393.00 |
| P-200-3103   | \$ 834.50  |
| P-200-3103-T | \$1,220.40 |
| P-200-07A    | \$ 621.60  |
| P-200-07B    | \$ 651.70  |
| P-200-07C    | \$1,068.90 |

|               |            |
|---------------|------------|
| P-200-08A     | \$ 201.20  |
| P-200-08AK    | \$ 201.20  |
| P-200-08B     | \$ 204.40  |
| P-200-08BK    | \$ 204.40  |
| P-200-08C     | \$ 346.10  |
| P-200-08CK    | \$ 346.10  |
| P-200-10A     | \$ 144.50  |
| P-200-10B     | \$ 144.50  |
| P-200-10C     | \$ 247.90  |
| P-200-13A     | \$ 986.80  |
| P-200-13AK    | \$ 986.80  |
| P-200-13B     | \$1,020.30 |
| P-200-13BK    | \$1,020.30 |
| P-200-13C     | \$1,567.20 |
| P-200-13CK    | \$1,567.20 |
| P-300-3103K   | \$1,271.90 |
| P-300-3103K-T | \$1,603.90 |
| P-300-01BS    | \$ 97.10   |
| P-300-01EF    | \$ 69.40   |
| P-300-01FC    | \$ 155.30  |
| P-300-02      | \$ 7.30    |
| P-300-05      | \$ 7.30    |
| P-300-05K     | \$ 7.60    |
| P-300-06AK,A  | \$ 814.60  |
| P-300-06BK,B  | \$ 847.60  |
| P-300-06CK    | \$1,397.80 |
| P-300-07AK    | \$247.90   |
| P-300-07AK-T  | \$ 305.40  |
| P-300-07AV    | \$ 7.30    |
| P-300-07CK    | \$ 424.00  |
| P-300-07CK-T  | \$ 481.60  |
| P-300-08VK    | \$ 3.60    |
| P-300-09AK    | \$ 41.80   |
| P-300-09AK-T  | \$ 49.00   |
| P-300-09CK    | \$ 75.20   |
| P-300-09CK-T  | \$ 82.20   |
| P-300-10A     | \$ 169.80  |
| P-300-10B     | \$ 169.80  |
| P-300-10C     | \$ 291.10  |
| P-300-11E     | \$ 14.70   |
| P-300-11V     | \$ 31.90   |
| P-300-12A     | \$ 41.80   |
| P-300-12C     | \$ 75.20   |
| P-300-13V     | \$ 41.80   |
| P-300-14AK    | \$1,287.90 |
| P-300-14AK-T  | \$1,345.90 |
| P-300-14BK    | \$1,329.20 |
| P-300-14BK-T  | \$1,387.40 |
| P-300-14CK    | \$2,285.10 |
| P-300-14CK-T  | \$2,342.80 |
| P-300-15K     | \$ 11.80   |
| P-300-16A     | \$ 6.40    |
| P-300-16B     | \$ 6.40    |
| P-300-16C     | \$ 9.90    |
| P-500-3103K   | \$1,460.80 |
| P-500-3103K-T | \$1,793.90 |
| P-500-07AK    | \$ 291.10  |
| P-500-07AK-T  | \$ 348.10  |
| P-500-07CK    | \$ 487.70  |
| P-500-07CK-T  | \$ 545.00  |
| P-500-14AK    | \$1,328.00 |
| P-500-14AK-T  | \$1,385.70 |
| P-500-14BK    | \$1,369.20 |
| P-500-14BK-T  | \$1,426.80 |
| P-500-14CK    | \$2,343.40 |
| P-500-14CK-T  | \$2,400.70 |
| P-712-3103K   | \$1,650.80 |
| P-712-3103K-T | \$2,029.80 |
| P-712-06AK    | \$ 960.40  |
| P-712-06CK    | \$1,294.80 |
| P-712-07AK    | \$ 365.80  |
| P-712-07AK-T  | \$ 423.60  |

|                        |            |
|------------------------|------------|
| P-712-07CK             | \$ 619.70  |
| P-712-07CK-T           | \$ 672.70  |
| P-712-10A              | \$ 228.10  |
| P-712-10C              | \$ 319.70  |
| P-712-11E              | \$ 16.80   |
| P-712-11V              | \$ 29.90   |
| P-712-12A              | \$ 47.80   |
| P-712-12C              | \$ 102.20  |
| P-712-14AK             | \$1,660.00 |
| P-712-14AK-T           | \$1,717.80 |
| P-712-14BK             | \$1,717.80 |
| P-712-14BK-T           | \$1,775.60 |
| P-712-14CK             | \$2,516.90 |
| P-712-14CK-T           | \$2,570.70 |
| P-712-16A              | \$ 10.60   |
| P-712-16C              | \$ 16.70   |
| PHF-712-3103           | \$1,946.00 |
| PHF-712-07AK           | \$ 630.00  |
| PHF-712-14AK           | \$2,805.00 |
| PHF-712-06A            | \$1,660.00 |
| PHF-712-11V            | \$ 52.90   |
| PHF-712-11E            | \$ 31.30   |
| PHF-712-10A            | \$ 432.00  |
| PHF-712-13T            | \$ 75.60   |
| PHF-712-12A            | \$ 75.10   |
| PHF-712-08V            | \$ 5.90    |
| PHF-712-09A            | \$ 70.70   |
| PHF-712-15K            | \$ 21.60   |
| PHF-712-16A set of (6) | \$ 64.80   |
| PHF-712-18A            | \$ 216.00  |
| P-1000-3103            | \$2,432.70 |
| P-1000-07AK            | \$ 744.10  |
| P-1000-14AK            | \$2,919.20 |
| P-1500-3103            | \$2,919.20 |
| P-1500-07AK            | \$ 858.60  |
| P-1500-14AK            | \$3,033.70 |
| PX-300-3103K           | \$1,440.00 |
| PX-300-07AK            | \$ 282.00  |
| PX-300-14AK            | \$1,502.00 |
| PX-300-05K set of (4)  | \$ 39.20   |
| PX-300-06AK            | \$1,049.20 |
| P-300-07AE             | \$ 5.00    |
| PX-300-10A             | \$ 232.70  |
| PX-300-10A2            | \$ 73.50   |
| PX-300-18A             | \$ 183.70  |
| PX-500-3103K           | \$1,685.00 |
| PX-500-07AK            | \$ 323.00  |
| PX-500-14AK            | \$1,545.00 |
| PX-712-3103K           | \$2,205.00 |
| PX-712-07AK-HF         | \$ 735.00  |
| PX-712-14AK            | \$3,307.00 |
| PX-712-06A             | \$1,959.90 |
| PX-712-11V             | \$ 56.10   |
| PX-712-11E             | \$ 33.20   |
| PX-712-10A             | \$ 611.20  |
| PX-712-10A2            | \$ 121.30  |
| P-712-13V              | \$ 85.80   |
| PX-712-12A             | \$ 79.60   |
| PX-712-08V             | \$ 6.30    |
| PX-712-09A             | \$ 75.00   |
| PX-712-15K             | \$ 22.90   |
| PX-712-16A set of (6)  | \$ 68.70   |
| PX-712-18A             | \$ 275.60  |
| PX-1000-3103K          | \$2,726.00 |
| PX-1000-07AK           | \$ 858.00  |
| PX-1000-14AK           | \$3,430.00 |
| PX-1500-3103K          | \$3,246.00 |
| PX-1500-07AK           | \$ 980.00  |
| PX-1500-14AK           | \$3,552.00 |

## Pumps Parts

### Series M Magnetic Drive Pumps Bulletin 203



| Model #      | Price      | Model #      | Price      | Model #      | Price      |              |            |
|--------------|------------|--------------|------------|--------------|------------|--------------|------------|
| M-130-018-10 | \$10.60    | M-151-009-10 | \$43.50    | M-155-067-01 | \$54.50    | M-157-008-00 | \$345.00   |
| M-130-021-10 | \$8.90     | M-151-010-10 | \$167.50   | M-155-071-10 | \$42.40    | M-157-009-10 | \$21.20    |
| M-130-024-10 | \$10.90    | M-151-011-10 | \$14.00    | M-155-081-10 | \$133.60   | M-157-010-10 | \$42.40    |
| M-130-028-10 | \$4.50     | M-151-014-01 | \$51.20    | M-155-082-10 | \$183.10   | M-157-011-10 | \$20.10    |
| M-130-033-10 | \$5.30     | M-151-015-10 | \$378.40   | M-155-084-10 | \$89.00    | M-157-012-10 | \$1,351.50 |
| M-130-043-02 | \$37.10    | M-151-016-10 | \$0.80     | M-155-090-10 | \$267.10   | M-157-014-10 | \$1.30     |
| M-130-049-10 | \$212.00   | M-151-023-10 | \$1,324.50 | M-155-091-01 | \$49.00    | M-157-023-10 | \$1.10     |
| M-130-066-01 | \$15.60    | M-151-027-10 | \$37.90    | M-155-092-01 | \$91.20    | M-157-028-00 | \$1,803.10 |
| M-130-069-02 | \$36.00    | M-151-028-01 | \$39.80    | M-155-093-10 | \$11.70    | M-157-029-02 | \$2,243.00 |
| M-130-110-10 | \$48.25    | M-151-029-05 | \$86.90    | M-155-103-10 | \$835.30   | M-157-029-05 | \$2,320.30 |
| M-130-112-02 | \$89.25    | M-151-029-08 | \$153.70   | M-155-104-10 | \$1,502.60 | M-157-029-07 | \$2,515.40 |
| M-130-114-01 | \$77.40    | M-151-029-09 | \$280.90   | M-155-105-10 | \$8.00     | M-157-030-00 | \$1,835.90 |
| M-130-140-10 | \$231.00   | M-151-029-13 | \$225.80   | M-155-112-03 | \$1,124.70 | M-157-032-10 | \$92.20    |
| M-135-016-10 | \$0.85     | M-151-039-10 | \$389.60   | M-155-112-04 | \$1,146.40 | M-157-033-10 | \$122.40   |
| M-135-023-10 | \$4.00     | M-151-042-10 | \$1,333.50 | M-155-112-06 | \$1,360.00 | M-157-036-10 | \$2.10     |
| M-135-134-10 | \$12.75    | M-151-044-10 | \$95.70    | M-155-112-08 | \$1,196.70 | M-157-037-10 | \$1.30     |
| M-135-180-10 | \$1.05     | M-151-045-01 | \$83.70    | M-155-117-10 | \$28.90    | M-157-038-10 | \$294.70   |
| M-145-010-10 | \$20.10    | M-151-046-03 | \$196.10   | M-155-124-01 | \$105.70   | M-157-042-10 | \$1,947.80 |
| M-145-027-01 | \$42.40    | M-151-046-05 | \$265.00   | M-155-125-10 | \$155.80   | M-157-043-10 | \$323.30   |
| M-145-033-02 | \$52.50    | M-151-046-11 | \$337.10   | M-155-130-02 | \$230.00   | M-157-045-10 | \$285.10   |
| M-145-033-03 | \$118.70   | M-151-061-01 | \$107.00   | M-155-145-10 | \$145.20   | M-157-047-10 | \$278.80   |
| M-145-039-02 | \$83.70    | M-151-061-02 | \$113.40   | M-155-146-10 | \$123.00   | M-157-050-02 | \$762.10   |
| M-145-046-01 | \$99.60    | M-151-064-10 | \$100.20   | M-155-147-10 | \$94.60    | M-157-050-05 | \$840.30   |
| M-150-021-10 | \$0.80     | M-151-069-01 | \$213.60   | M-155-149-10 | \$256.50   | M-157-050-07 | \$1,035.10 |
| M-150-031-01 | \$14.60    | M-151-070-01 | \$456.30   | M-155-159-02 | \$155.80   | M-157-052-10 | \$328.30   |
| M-150-032-10 | \$10.10    | M-153-001-01 | \$77.90    | M-155-159-03 | \$369.90   | M-157-053-10 | \$261.60   |
| M-150-050-10 | \$1.10     | M-153-002-10 | \$46.60    | M-155-159-04 | \$205.60   | M-157-057-10 | \$311.60   |
| M-150-051-10 | \$ .55     | M-153-003-04 | \$106.50   | M-155-159-05 | \$125.10   | M-157-058-00 | \$27.50    |
| M-150-053-02 | \$56.70    | M-153-003-05 | \$129.30   | M-155-160-02 | \$262.90   | M-157-065-10 | \$179.70   |
| M-150-053-03 | \$120.30   | M-153-003-08 | \$347.40   | M-155-160-03 | \$488.70   | M-157-085-01 | \$1,048.10 |
| M-150-053-05 | \$155.80   | M-153-003-09 | \$183.40   | M-155-160-04 | \$325.40   | M-157-086-01 | \$1,641.70 |
| M-150-063-10 | \$37.90    | M-153-005-01 | \$36.00    | M-155-165-01 | \$278.30   | M-157-090-10 | \$217.30   |
| M-150-069-10 | \$1.35     | M-153-006-10 | \$24.60    | M-155-166-01 | \$575.60   | M-157-100-10 | \$136.50   |
| M-150-070-01 | \$16.70    | M-153-007-10 | \$24.50    | M-155-174-10 | \$484.20   | M-160-029-10 | \$1.60     |
| M-150-072-01 | \$25.70    | M-153-011-10 | \$1.10     | M-155-175-10 | \$40.30    | M-160-030-10 | \$1.10     |
| M-150-073-10 | \$21.20    | M-153-015-10 | \$6.90     | M-155-176-01 | \$40.30    | M-160-031-10 | \$1.90     |
| M-150-081-10 | \$39.00    | M-153-016-10 | \$11.90    | M-155-177-10 | \$100.70   | M-161-001-10 | \$78.40    |
| M-150-089-10 | \$1,585.80 | M-153-019-10 | \$391.10   | M-155-178-10 | \$80.60    | M-161-002-10 | \$212.00   |
| M-150-090-10 | \$408.10   | M-153-020-10 | \$391.10   | M-155-179-10 | \$3.20     | M-161-005-04 | \$1,558.20 |
| M-150-098-02 | \$56.70    | M-153-024-10 | \$34.70    | M-155-180-10 | \$7.40     | M-161-005-06 | \$1,987.50 |
| M-150-098-03 | \$122.40   | M-153-025-10 | \$12.50    | M-155-181-10 | \$24.50    | M-161-007-00 | \$482.00   |
| M-150-098-05 | \$155.80   | M-153-035-01 | \$94.60    | M-155-182-10 | \$10.60    | M-161-008-10 | \$545.90   |
| M-150-110-00 | \$367.30   | M-153-040-10 | \$178.10   | M-155-183-10 | \$118.00   | M-161-009-10 | \$534.20   |
| M-150-111-00 | \$222.60   | M-153-041-01 | \$80.60    | M-155-185-10 | \$469.80   | M-161-010-10 | \$32.00    |
| M-150-114-04 | \$662.50   | M-153-042-10 | \$120.20   | M-155-186-10 | \$469.80   | M-161-011-10 | \$51.90    |
| M-150-114-06 | \$697.50   | M-153-043-05 | \$231.50   | M-155-194-01 | \$283.80   | M-161-012-10 | \$2,629.90 |
| M-150-123-01 | \$53.50    | M-153-043-08 | \$473.00   | M-155-195-10 | \$173.60   | M-161-026-10 | \$4,953.40 |
| M-150-124-10 | \$44.50    | M-153-043-09 | \$297.20   | M-155-196-10 | \$311.60   | M-161-031-01 | \$1,263.50 |
| M-150-125-02 | \$94.60    | M-153-047-10 | \$247.20   | M-155-197-10 | \$27.60    | M-161-032-10 | \$362.50   |
| M-150-125-03 | \$160.30   | M-153-052-10 | \$50.10    | M-156-001-10 | \$150.30   | M-161-035-01 | \$3,116.40 |
| M-150-125-05 | \$197.20   | M-153-053-10 | \$89.00    | M-156-002-10 | \$124.70   | M-618-027-10 | \$ .55     |
| M-150-126-01 | \$44.50    | M-153-056-01 | \$244.90   | M-156-004-02 | \$734.60   | M-750-227-01 | \$71.80    |
| M-150-138-10 | \$72.10    | M-153-057-01 | \$479.70   | M-156-004-03 | \$887.20   | M-750-228-10 | \$7.70     |
| M-150-148-01 | \$103.90   | M-153-072-01 | \$44.50    | M-156-007-10 | \$35.00    | M-750-229-10 | \$10.10    |
| M-150-149-01 | \$227.10   | M-155-009-10 | \$8.00     | M-156-008-10 | \$640.20   | M-802-008-10 | \$ .55     |
| M-151-001-04 | \$835.30   | M-155-010-10 | \$8.00     | M-156-009-01 | \$517.30   | M-821-038-10 | \$ .30     |
| M-151-001-05 | \$962.70   | M-155-011-10 | \$44.50    | M-156-010-10 | \$19.10    | M-939-003-10 | \$33.90    |
| M-151-001-06 | \$809.80   | M-155-013-10 | \$36.00    | M-156-016-10 | \$9.50     |              |            |
| M-151-001-08 | \$895.70   | M-155-014-10 | \$1.30     | M-156-021-10 | \$1,697.30 |              |            |
| M-151-002-00 | \$756.80   | M-155-016-10 | \$417.40   | M-156-023-10 | \$79.50    |              |            |
| M-151-003-00 | \$621.20   | M-155-017-10 | \$1.30     | M-156-025-10 | \$28.60    |              |            |
|              |            | M-155-019-10 | \$0.80     | M-156-026-10 | \$167.50   |              |            |
|              |            | M-155-021-10 | \$0.80     | M-156-031-01 | \$1,051.80 |              |            |
|              |            | M-155-022-10 | \$417.40   | M-156-034-10 | \$15.90    |              |            |
|              |            | M-155-035-00 | \$339.50   | M-157-001-10 | \$19.90    |              |            |
|              |            | M-155-036-00 | \$656.70   | M-157-002-10 | \$133.60   |              |            |
|              |            | M-155-039-10 | \$24.40    | M-157-004-02 | \$517.30   |              |            |
|              |            | M-155-059-10 | \$1,046.20 | M-157-004-05 | \$595.50   |              |            |
|              |            | M-155-060-10 | \$1,046.20 | M-157-004-07 | \$790.80   |              |            |
|              |            | M-155-064-10 | \$7.20     | M-157-005-01 | \$489.70   |              |            |
|              |            | M-155-066-10 | \$5.80     | M-157-007-10 | \$66.80    |              |            |

## Pumps Parts

### Series HD Two & Three Stage Horizontal Centrifugal Pumps Bulletin 206



| PART #       | PRICE      | HD-112-08T     | \$ 15.00   | HD-112-22-4.3   | \$1,487.70 |
|--------------|------------|----------------|------------|-----------------|------------|
| HD-112-0103S | \$1,024.40 | HD-112-09A-3.8 | \$ 140.10  | HD-200-3103S-II | \$1,024.80 |
| HD-112-0103T | \$1,224.80 | HD-112-09A-3.9 | \$ 140.10  | HD-200-3103SIII | \$1,024.80 |
| HD-112-3103S | \$ 929.60  | HD-112-09A-4.3 | \$ 140.10  | HD-200-3103T-II | \$1,224.80 |
| HD-112-3103T | \$1,129.90 | HD-112-09A-4.5 | \$ 140.10  | HD-200-3103TIII | \$1,224.80 |
| HD-112-01BS  | \$ 69.40   | HD-112-10V     | \$ 5.20    | HD-200-09A      | \$ 149.30  |
| HD-112-01EF  | \$ 69.40   | HD-112-11V     | \$ 22.70   | HD-200-12A-III  | \$ 227.10  |
| HD-112-01FC  | \$ 121.30  | HD-112-12A-II  | \$ 194.60  | HD-200-17       | \$ 7.00    |
| HD-112-04A   | \$ 257.60  | HD-112-14A     | \$ 140.10  | HD-200-19A      | \$ 134.10  |
| HD-112-05    | \$ 4.10    | HD-112-15A     | \$ 151.30  | HD-200-20V      | \$ 16.50   |
| HD-112-06S   | \$ 5.60    | HD-112-16A-II  | \$ 164.10  | HD-200-21A      | \$ 437.50  |
| HD-112-06T   | \$ 13.10   | HD-112-16A-III | \$ 173.60  | HD-200-22-3.9   | \$1,692.40 |
| HD-112-07S   | \$ 3.90    | HD-112-17      | \$ 5.70    | HD-200-22-4.5   | \$1,692.40 |
| HD-112-07T   | \$ 8.00    | HD-112-18      | \$ 76.80   | HD-300-3103SIII | \$1,314.50 |
| HD-112-08S   | \$ 6.00    | HD-112-22-3.8  | \$1,487.70 | HD-300-3103TIII | \$1,548.90 |

### Series HSC Stainless Steel Single & Two Stage Centrifugal Pumps Bulletin 208



| PART #        | PRICE    | HSC-140-09   | \$314.00   | HSC-340-15D  | \$1,351.00 |
|---------------|----------|--------------|------------|--------------|------------|
| HSC-140-0102  | \$447.00 | HSC-140-10   | \$327.00   | HSC-340-15M  | \$1,737.00 |
| HSC-140-0103  | \$504.00 | HSC-140-1001 | \$319.00   | HSC-100-0102 | \$569.00   |
| HSC-140-01BS  | \$ 61.00 | HSC-140-1002 | \$319.00   | HSC-100-0103 | \$664.00   |
| HSC-140-01EF  | \$ 52.00 | HSC-140-11   | \$ 4.00    | HSC-100-3103 | \$569.00   |
| HSC-140-01FC  | \$ 69.00 | HSC-140-12   | \$403.00   | HSC-100-09   | \$361.00   |
| HSC-140-0201  | \$148.00 | HSC-140-14   | \$ 37.00   | HSC-100-15S  | \$1,059.00 |
| HSC-140-0202  | \$181.00 | HSC-140-15S  | \$859.00   | HSC-100-15D  | \$1,381.00 |
| HSC-140-0203  | \$287.00 | HSC-140-15D  | \$1,180.00 | HSC-100-15M  | \$1,766.00 |
| HSC-140-0301  | \$171.00 | HSC-120-0102 | \$532.00   | HSC-112-2103 | \$744.00   |
| HSC-140-0302  | \$208.00 | HSC-120-0103 | \$474.00   | HSC-112-3103 | \$662.00   |
| HSC-140-0303  | \$274.00 | HSC-120-3103 | \$474.00   | HSC-200-3103 | \$791.00   |
| HSC-140-0401E | \$ 96.00 | HSC-120-09   | \$421.00   | HSC-200-09   | \$388.00   |
| HSC-140-0402E | \$176.00 | HSC-120-15S  | \$898.00   | HSC-200-15S  | \$1,087.00 |
| HSC-140-0501  | \$245.00 | HSC-120-15D  | \$1,208.00 | HSC-200-15D  | \$1,409.00 |
| HSC-140-0502  | \$294.00 | HSC-340-0102 | \$523.00   | HSC-200-15M  | \$1,792.00 |
| HSC-140-0503  | \$680.00 | HSC-340-0103 | \$569.00   | HSC-300-3103 | \$786.00   |
| HSC-140-06    | \$ 2.00  | HSC-340-3103 | \$523.00   | HSC-300-10   | \$461.00   |
| HSC-140-07    | \$ 3.00  | HSC-340-10   | \$406.00   | HSC-300-15S  | \$1,171.00 |
| HSC-140-08E   | \$ 22.00 | HSC-340-15S  | \$1,032.00 | HSC-300-15D  | \$1,501.00 |
| HSC-140-08V   | \$ 37.00 |              |            |              |            |

### Series HN Horizontal Centrifugal Pumps Bulletin 209



| PART#       | PRICE    | HN-300-09V  | \$ 12.00   | HN-500-11A  | \$ 285.00  |
|-------------|----------|-------------|------------|-------------|------------|
| HN-300-31   | \$949.00 | HN-300-10A  | \$ 156.00  | HN-500-20SE | \$1,432.00 |
| HN-300-02   | \$ 93.00 | HN-300-11A  | \$ 245.00  | HN-500-20SV | \$1,468.00 |
| HN-300-04A  | \$645.00 | HN-300-15E  | \$ 38.00   | HN-500-20DE | \$1,595.00 |
| HN-300-05D  | \$ 5.00  | HN-300-15V  | \$ 50.00   | HN-500-20DV | \$1,631.00 |
| HN-300-06S  | \$ 11.00 | HN-300-16A  | \$ 245.00  | HN-712-31   | \$1,336.00 |
| HN-300-07SE | \$122.00 | HN-300-17   | \$ 66.00   | HN-712-11A  | \$ 326.00  |
| HN-300-07SV | \$158.00 | HN-300-18   | \$ 131.00  | HN-712-20SE | \$1,473.00 |
| HN-300-07SS | \$367.00 | HN-300-19   | \$ 66.00   | HN-712-20SV | \$1,509.00 |
| HN-300-07DE | \$204.00 | HN-300-20SE | \$1,391.00 | HN-712-20DE | \$1,636.00 |
| HN-300-07DV | \$240.00 | HN-300-20SV | \$1,427.00 | HN-712-20DV | \$1,672.00 |
| HN-300-07DS | \$488.00 | HN-300-20DE | \$1,554.00 |             |            |
| HN-300-09E  | \$ 8.00  | HN-300-20DV | \$1,590.00 |             |            |
|             |          | HN-500-31   | \$1,164.00 |             |            |

### Series MT Magnetic Drive Pumps Bulletin 213



| PART #      | PRICE    | MT-101936    | \$1,030.00 | MT-200-15BCV | \$1,253.00 |
|-------------|----------|--------------|------------|--------------|------------|
| MT-100321   | \$ 1.30  | MT-101937    | \$1,030.00 | MT-200-15BCE | \$1,253.00 |
| MT-100998   | \$ 2.20  | MT-101938    | \$1,030.00 | MT-200-15BTB | \$1,253.00 |
| MT-101000   | \$ 5.75  | MT-101940    | \$1,030.00 | MT-200-15BTE | \$1,253.00 |
| MT-101008-1 | \$200.00 | MT-101941    | \$1,030.00 | MT-200-15CCV | \$2,043.00 |
| MT-101008-2 | \$375.00 | MT-101942    | \$1,030.00 | MT-200-15CCE | \$2,043.00 |
| MT-101014-1 | \$169.00 | MT-102774    | \$ 33.00   | MT-200-15CTV | \$2,043.00 |
| MT-101014-2 | \$311.00 | MT-102775    | \$ 20.00   | MT-200-15CTE | \$2,043.00 |
| MT-101019-1 | \$629.00 | MT-112-02    | \$ 850.00  | MT-300-03    | \$ 809.70  |
| MT-101020   | \$ 1.80  | MT-112-03    | \$ 629.00  | MT-300-15BCV | \$1,253.00 |
| MT-101084   | \$ 5.75  | MT-112-15BCV | \$1,253.00 | MT-300-15BCE | \$1,253.00 |
| MT-101629-1 | \$ 81.00 | MT-112-15BCE | \$1,253.00 | MT-300-15BTB | \$1,253.00 |
| MT-101708   | \$ 2.40  | MT-112-15BTE | \$1,253.00 | MT-300-15BTE | \$1,253.00 |
| MT-101928   | \$713.00 | MT-112-15BTE | \$1,253.00 | MT-300-15CCV | \$2,043.00 |
| MT-101929   | \$713.00 | MT-112-15CCV | \$2,043.00 | MT-300-15CCE | \$2,043.00 |
| MT-101930   | \$713.00 | MT-112-15CCE | \$2,043.00 | MT-300-15CTV | \$2,043.00 |
| MT-101932   | \$713.00 | MT-112-15CTV | \$2,043.00 | MT-300-15CTE | \$2,043.00 |
| MT-101933   | \$713.00 | MT-112-15CTE | \$2,043.00 |              |            |
| MT-101934   | \$713.00 | MT-200-03    | \$ 719.10  |              |            |

### Series HOM Horizontal Centrifugal Pumps Bulletin 209



| MODEL PART # | PRICE    | HM-120-08B  | \$136.90 | HM-112-10E  | \$509.00 |
|--------------|----------|-------------|----------|-------------|----------|
| HM-140-0501E | \$ 83.80 | HM-120-09   | \$ 56.70 | HM-112-10V  | \$538.80 |
| HM-140-0501V | \$ 92.30 | HM-120-10E  | \$440.50 | HM-200-0103 | \$750.50 |
| HM-120-0103  | \$456.40 | HM-120-10V  | \$470.10 | HM-200-3103 | \$684.60 |
| HM-120-3103  | \$430.10 | HM-100-0103 | \$518.70 | HM-200-06A  | \$150.70 |
| HM-120-01BS  | \$ 70.10 | HM-100-3103 | \$496.40 | HM-200-10E  | \$542.60 |
| HM-120-01EF  | \$ 52.60 | HM-100-06A  | \$131.90 | HM-200-10V  | \$572.60 |
| HM-120-01FC  | \$ 70.10 | HM-100-10E  | \$474.60 |             |          |
| HM-120-02    | \$ 2.90  | HM-100-10V  | \$440.70 |             |          |
| HM-120-03B   | \$169.10 | HM-112-0103 | \$603.70 |             |          |
| HM-120-06A   | \$113.10 | HM-112-3103 | \$564.80 |             |          |
| HM-120-07E   | \$ 24.00 | HM-112-06A  | \$142.10 |             |          |

## Filter System Parts

### Series BF Bag Filter Systems Bulletin 308



| PART #    | PRICE   | PART #     | PRICE    | PART #         | PRICE    |
|-----------|---------|------------|----------|----------------|----------|
| BF-50-01B | \$31.90 | BF-50-09A  | \$ 52.20 | BF-100-07A     | \$ 4.90  |
| BF-50-02B | \$94.30 | BF-50-10A  | \$ 11.10 | BF-100-08      | \$ 3.80  |
| BF-50-03A | \$68.50 | BF-50-11A  | \$ 13.70 | BF-100-09A     | \$ 58.50 |
| BF-50-04A | \$42.60 | BF-50-12   | \$ 42.70 | BF-100-10A     | \$ 13.10 |
| BF-50-05A | \$ 4.40 | BF-50-13B  | \$ 85.40 | BF-100-11A     | \$ 19.10 |
| BF-50-06A | \$15.60 | BF-50-15   | \$477.70 | BF-100-13B-1   | \$102.60 |
| BF-50-07A | \$ 4.40 | BF-100-04A | \$ 45.60 | BF-100-13B-1.5 | \$102.60 |
| BF-50-08  | \$ 3.20 | BF-100-05A | \$ 4.90  | BF-100-15      | \$541.40 |

### Series SF CPVC In-Tank Suction Bulletin 309



| PART #      | PRICE    | PART #       | PRICE    |
|-------------|----------|--------------|----------|
| ASF-100-01A | \$143.30 | ASF-400-05A  | \$322.30 |
| ASF-100-02B | \$ 3.80  | ASFL-100-01A | \$156.10 |
| ASF-100-03B | \$ 12.70 | ASFL-100-04A | \$ 47.20 |
| ASF-100-04A | \$ 44.50 | ASFL-100-05A | \$204.80 |
| ASF-100-05A | \$186.30 | ASFL-200-01A | \$248.40 |
| ASF-400-04A | \$ 57.30 | ASFL-200-05A | \$309.50 |

## Metal Recovery Systems

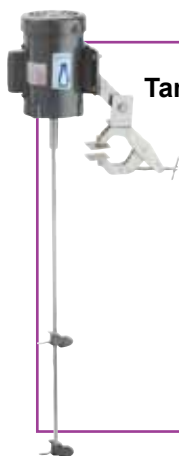
### Series MR/SR Metal Recovery Systems Bulletin 601



| PART #    | PRICE    | PART #     | PRICE    | PART #     | PRICE    |
|-----------|----------|------------|----------|------------|----------|
| S-200-01  | \$ 3.60  | S-200-12   | \$167.80 | R-150-03B  | \$148.70 |
| S-200-04B | \$ 94.30 | S-200-13B  | \$ 94.30 | R-150-04B  | \$ 19.40 |
| S-200-06B | \$ 12.10 | S-200-14D  | \$ 16.80 | R-150-07-1 | \$186.60 |
| S-200-07E | \$ 5.40  | S-200-15   | \$ 2.60  | R-150-07-2 | \$290.40 |
| S-200-08  | \$198.70 | SF-200-12  | \$ 47.20 | R-150-07-3 | \$393.00 |
| S-200-09  | \$ 2.60  | SF-200-13B | \$102.60 | R-150-10D  | \$102.60 |
| S-200-10D | \$ 48.80 | SF-200-19  | \$ 66.30 | R-150-14B  | \$217.80 |
|           |          | SF-200-21B | \$ 72.00 | R-150-16   | \$ 3.80  |

## Tank & Drum Mixers

### Series PM Tank & Drum Mixers Bulletin 701



| PART #       | PRICE    | PART #      | PRICE    | PART #      | PRICE    |
|--------------|----------|-------------|----------|-------------|----------|
| PM-120-01    | \$215.80 | PM-120-12   | \$ 2.60  | PM-13-04BS  | \$232.70 |
| PM-120-21    | \$285.00 | PM-14-01    | \$448.70 | PM-12-01    | \$511.70 |
| PM-120-02S   | \$ 71.00 | PM-14-02S   | \$ 85.90 | PM-12-31    | \$511.70 |
| PM-120-03S   | \$ 2.10  | PM-14-04S   | \$109.10 | PM-12-02S   | \$116.30 |
| PM-120-04S   | \$ 89.40 | PM-14-04BS  | \$230.10 | PM-12-04S   | \$210.60 |
| PM-120-04BS  | \$210.60 | PM-14-05S4  | \$139.60 | PM-12-04BS  | \$328.50 |
| PM-120-05S3  | \$136.00 | PM-14-05BS4 | \$ 60.20 | PM-12-05S4  | \$150.70 |
| PM-120-05BS3 | \$ 58.40 | PM-14-08    | \$217.00 | PM-12-05S5  | \$174.00 |
| PM-120-06B   | \$ 75.60 | PM-14-08SJA | \$ 20.80 | PM-12-05BS4 | \$ 59.90 |
| PM-120-07S   | \$ 1.70  | PM-14-08MCA | \$ 2.90  | PM-10-01    | \$598.20 |
| PM-120-08    | \$150.70 | PM-14-09    | \$ 94.50 | PM-10-31    | \$598.20 |
| PM-120-08SJA | \$ 17.20 | PM-14-10    | \$136.30 | PM-10-04S   | \$276.90 |
| PM-120-08MCA | \$ 2.90  | PM-14-11    | \$121.10 |             |          |
| PM-120-09    | \$ 60.50 | PM-14-12    | \$ 2.60  |             |          |
| PM-120-10    | \$ 94.30 | PM-13-01    | \$448.70 |             |          |
| PM-120-11    | \$ 84.00 | PM-13-04S   | \$118.80 |             |          |

## Pressure Gauges

### Series PGG Pressure Gauges Bulletin 703



| PART #      | PRICE   | PART #      | PRICE   |
|-------------|---------|-------------|---------|
| PGG-030-01  | \$28.60 | PGG-300-03V | \$15.00 |
| PGG-060-01  | \$28.60 | PGG-400-04A | \$27.80 |
| PGG-100-01  | \$28.60 | PGG-400-04B | \$31.90 |
| PGG-160-01  | \$28.60 | PGG-400-04C | \$49.00 |
| PGG-200-02A | \$27.80 | PGG-500-05V | \$ 1.30 |
| PGG-200-02B | \$31.90 | PGG-600-06  | \$ 1.30 |
| PGG-200-02C | \$49.00 |             |         |



7932 Ajay Drive  
Sun Valley, CA 91352  
PHONE: (818) 504-2391 FAX: (818) 768-7590